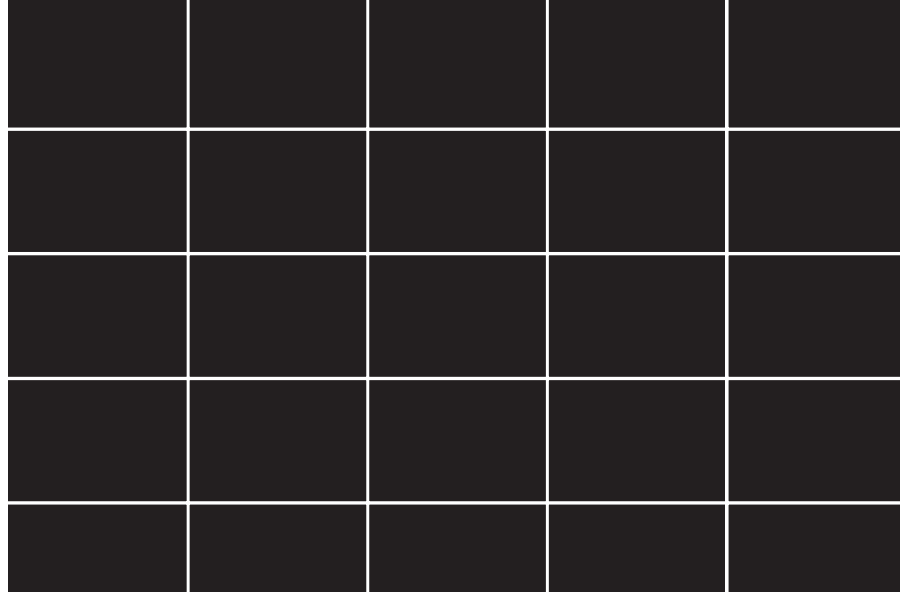
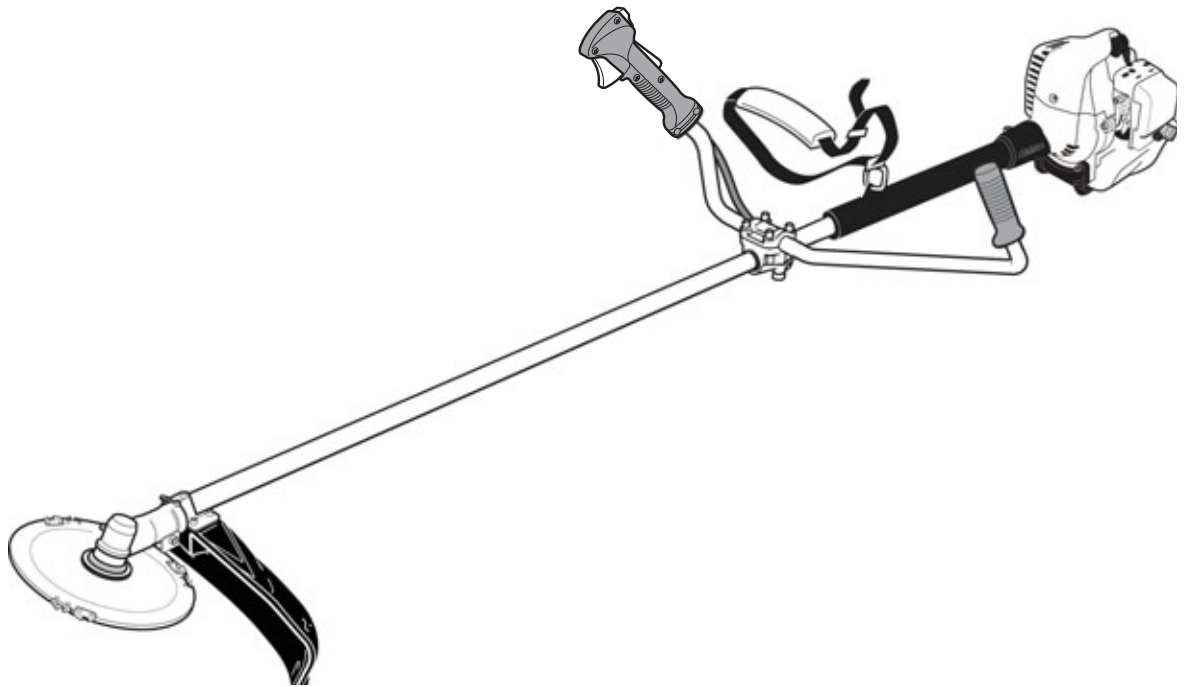


English 1
Español SP_1
Français FR_1



SHINDAIWA OWNER'S/OPERATOR'S MANUAL

**C242/EVC
BRUSHCUTTER**



WARNING! Always wear eye protection when operating this machine. To minimize the risk of injury, read this manual and familiarize yourself with its contents.

shindaiwa[®]

Part Number 89302 Rev. 6/09

Introduction

The Shindaiwa 242 series is designed and built to deliver superior performance and reliability without compromise to quality, comfort, safety or durability.

Shindaiwa engines represent the leading edge of high-performance engine technology, delivering exceptionally high power with remarkably low displacement and weight. As an owner/operator, you'll soon discover for yourself why Shindaiwa is simply in a class by itself!

IMPORTANT!

The information contained in these instructions describes units available at the time of publication.

Shindaiwa Inc. reserves the right to make changes to products without prior notice, and without obligation to make alterations to units previously manufactured.



WARNING!

The engine exhaust from this product contains chemicals known to the State of California to cause cancer, birth defects or other reproductive harm.

Contents

Contents	PAGE	PAGE	PAGE
Safety.....	3	Filling the fuel tank.....	9
Product Description.....	5	Starting the Engine	10
Specifications.....	5	Stopping the Engine	11
Assembly.....	6	Adjusting Engine Idle	11
Mixing fuel.....	9	Checking Unit Condition.....	11
		Operation	12
		Maintenance	14
		Long Term Storage	17
		Troubleshooting Guide	18
		Warranty Statement	21

IMPORTANT!

The operational procedures described in this manual are intended to help you get the most from this unit as well as to protect you and others from harm. These procedures are guidelines for safe operation under most conditions, and are not intended to replace any safety rules and/or laws that may be in force in your area. If you have questions regarding your unit, or if you do not understand something in this manual, contact your local authorized Shindaiwa dealer. You may also contact Shindaiwa Inc. at the address printed on the back of this Manual.

Attention Statements

Throughout this manual are special "attention statements".

DANGER!
A statement preceded by the triangular attention symbol and the word "DANGER" contains information that should be acted upon to prevent serious injury or death.

WARNING!
A statement preceded by the triangular attention symbol and the word "WARNING" contains information that should be acted upon to prevent serious bodily injury.

IMPORTANT!
A statement preceded by the word "IMPORTANT" is one that possesses special significance.

CAUTION!
A statement preceded by the word "CAUTION" contains information that should be acted upon to prevent mechanical damage.

NOTE:
A statement preceded by the word "NOTE" contains information that is handy to know and may make your job easier.

Warning and Operational Labels



Read and follow this operator's manual. Failure to do so could result in serious injury..



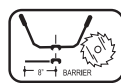
Beware of thrown or ricocheted objects



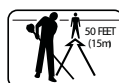
If unit is used as a brushcutter, beware of blade thrust. A jammed blade can cause the unit to jerk suddenly and may cause the operator to lose control of the unit.



Wear eye and hearing protection at all times during operation of this unit. Wear head protection where there is a risk of falling objects.



DO NOT operate this unit with a blade unless the unit is equipped with a Shindawia-approved handlebar or barrier.



Make sure no one is within 15 M / 50 feet of an operating machine.



Always wear a harness when operating this unit with a blade. A harness is also recommended when using trimmer line.

Safety

Work Safely

Trimmers and brushcutters operate at very high speeds and can do serious damage or injury if they are misused or abused. *Never allow a person without training or instruction to operate this unit!*



WARNING!

Never make unauthorized attachment installations.



WARNING!

Never operate power equipment of any kind if you are tired or if you are under the influence of alcohol, drugs, medication or any other substance that could affect your ability or judgement.



Stay Alert

You must be physically and mentally fit to operate this unit safely.



WARNING!

Use Good Judgment

ALWAYS inspect unit before each use. Replace any damaged parts.

NEVER run the engine when transporting the unit.

NEVER run the engine indoors! Make sure there is always good ventilation. Fumes from engine exhaust can cause serious injury or death.

ALWAYS stop the unit immediately if it suddenly begins to vibrate or shake. Inspect for broken, missing or improperly installed parts or attachments.

NEVER extend trimming line beyond the length specified for your unit.

ALWAYS keep the unit as clean as practical. Keep it free of loose vegetation, mud, etc.

ALWAYS hold the unit firmly with both hands when cutting or trimming, and maintain control at all times.

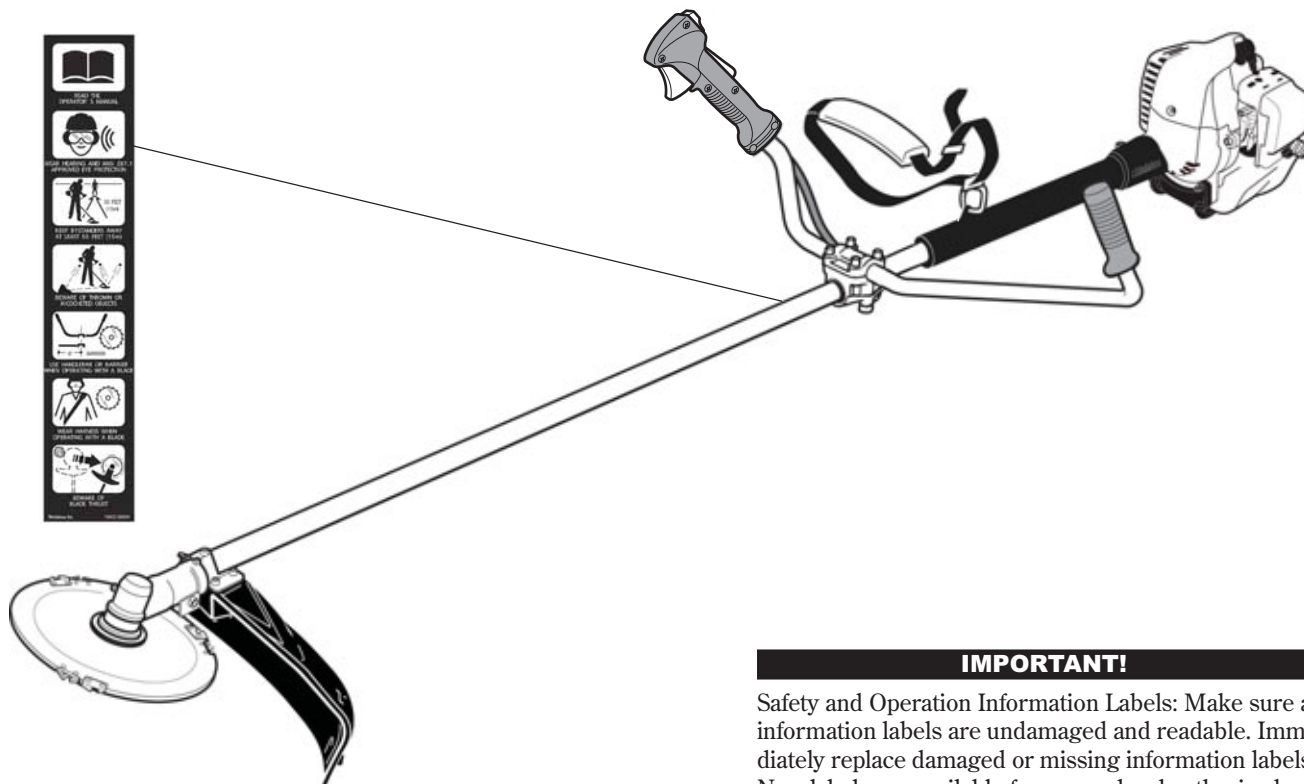
ALWAYS use the proper cutting tool for the job.

ALWAYS keep the handles clean.

ALWAYS disconnect the spark plug wire before performing any maintenance work.

ALWAYS, if a saw blade should bind fast in a cut, shut off the engine immediately. Push the branch or tree to ease the bind and free the blade.

Safety Labels



IMPORTANT!

Safety and Operation Information Labels: Make sure all information labels are undamaged and readable. Immediately replace damaged or missing information labels. New labels are available from your local authorized Shindaiwa dealer.

Safety (continued) The Properly Equipped Operator

Wear hearing protection devices and a broad-brimmed hat or helmet. A helmet is required when using a blade-equipped brushcutter to clear small trees.

Prolonged exposure to excessive noise is fatiguing and could lead to impaired hearing.

Wear close-fitting clothing to protect legs and arms. Gloves offer added protection and are strongly recommended. Do not wear clothing or jewelry that could get caught in machinery or underbrush. Secure long hair so that it is above shoulder level. **NEVER** wear shorts!

Long-term exposure to vibration can damage your hands.

Keep a proper footing and **do not overreach**. Maintain your balance at all times during operation.

Wear appropriate footwear (non-skid boots or shoes): do not wear open-toed shoes or sandals. **Never work barefooted!**



Always wear eye protection such as goggles or safety glasses to shield against thrown objects.

Always wear a harness when operating the unit. It adds comfort and helps ensure safety by limiting movement fore and aft. When the harness is adjusted properly, the unit should balance with the cutting attachment parallel to the ground.

Always operate with both hands firmly gripping the unit.

When operating with a blade, make sure the handle is positioned to provide you with maximum protection from contacting the blade. Always make sure the handlebar is installed in accordance with the manufacturers instructions.

Always make sure the appropriate cutting attachment shield is correctly installed and in good condition. Do not operate the unit if the cutting attachment shield is missing, loose, or broken.

Keep away from the rotating trimmer line or blade at all times, and never lift a moving attachment above waist-high.

Be Aware of the Working Environment

Avoid long-term operation in very hot or very cold weather.

Be extremely careful of slippery terrain, especially during rainy weather.

Be constantly alert for objects and debris that could be thrown either from the rotating cutting attachment or bounced from a hard surface.



Make sure bystanders or observers outside the 15 meter (50 feet) "danger zone" wear eye protection.

15 METERS (50 FEET)

Always make sure the appropriate cutting attachment shield is correctly installed.

Reduce the risk of bystanders being struck by flying debris. Make sure no one is within 15 meters (50 feet)—that's about 16 paces of an operating attachment. Stop immediately if a child, pet, or person comes within a 15 meter (50 feet) radius. Outside this radius, there is still a risk of injury from thrown objects.

Do not operate the unit if the cutting attachment shield is missing, loose, or broken.

Beware of a coasting blade when brushcutting or edging. A coasting blade can injure while it continues to spin after the throttle trigger is released or after the engine is stopped.

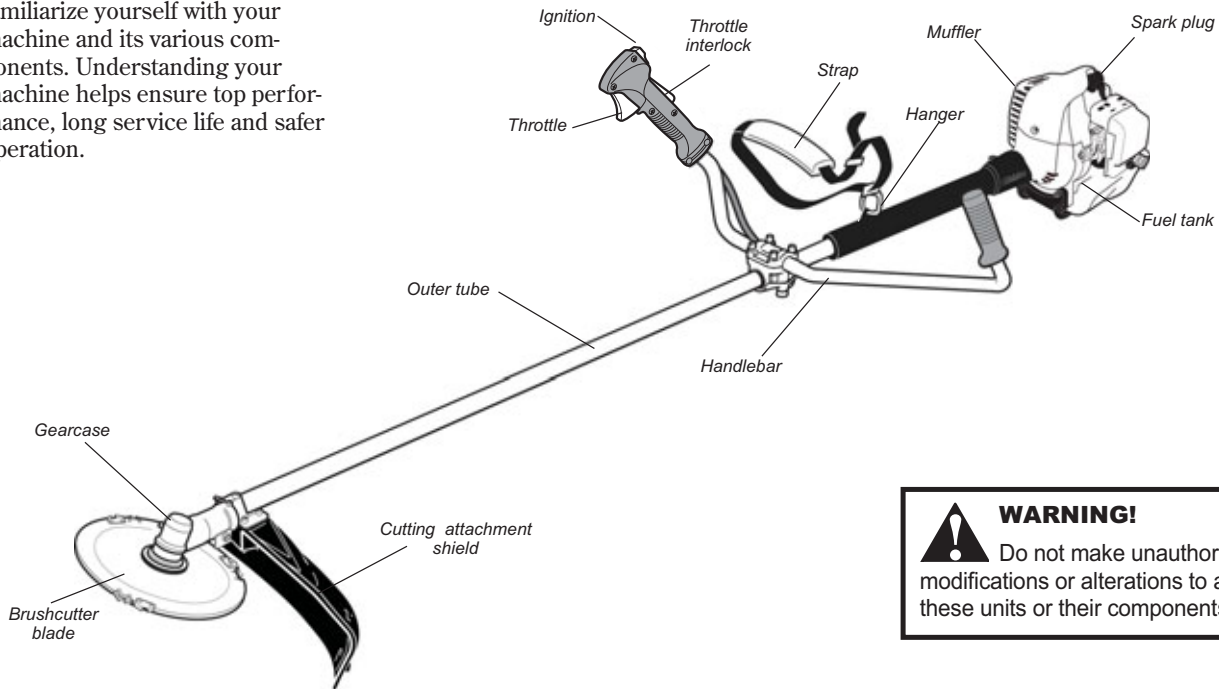
ALWAYS clear your work area of trash or hidden debris that could be thrown back at you or toward a bystander. When operating in rocky terrain or near electric wires or fences, use extreme caution to avoid contacting such items with the cutting attachment.

If contact is made with a hard object, stop the engine and inspect the cutting attachment for damage.

Product Description

Using the illustration as a guide, familiarize yourself with your machine and its various components. Understanding your machine helps ensure top performance, long service life and safer operation.

C242



WARNING!
Do not make unauthorized modifications or alterations to any of these units or their components.

Specifications

Engine model	SF242E	
Dry weight (less attachment)	5.7 kg / 12.6 lb	
Engine type	2-cycle catalyst	
Bore x stroke	33 x 28 mm / 1.3 x 1.1 in.	
Displacement	23.9 cc / 1.5 cu. in.	
Maximum power	1.0 HP/0.8 kW @ 8000 min ⁻¹ (rpm)	
Recommended idle speed	3,000 (±250) min ⁻¹ (rpm)	
Fuel/oil ratio	50:1 with ISO-L-EGD or JASO FC class 2-cycle mixing oil*	
Carburetor type	Walbro WYK, diaphragm-type	
Fuel tank capacity	670 mL / 22.3 oz	
Ignition	One-piece electronic, transistor controlled	
Spark plug	NGK BPMR6A	
	Electrode Gap	0.6 - 0.7 mm / .024 - .028 in.
	Torque	170 - 190 kg cm / 16.7 - 18.6 N-m
Air cleaner type	Foam, non reversible	
Starting method	Recoil	
Stopping method	Slide switch	
Transmission type	Automatic, centrifugal clutch w/bevel gear	
Handle Type	Bicycle type	
EPA Emission Compliance Period**	Category A	

Specifications are subject to change without notice.

** The EPA emission compliance referred to on the emission compliance label located on the engine, indicates the number of operating hours for which the engine has been shown to meet Federal emission requirements. Category C = 50 hours (Moderate), B = 125 hours (Intermediate) and A = 300 hours (Extended).

* The NGK BPMR6A also meets the requirements for electro magnetic compliance (EMC).

Assembly

This unit comes fully assembled with the exception of the handlebar, cutting attachment shield and cutting attachment.

IMPORTANT!

The terms “left”, “left-hand”, and “LH”; “right”, “right-hand”, and “RH”; “front” and “rear” refer to directions as viewed by the operator during normal operation.

Prior to Assembly

Before assembling, make sure you have all the components required for a complete unit and inspect unit and components for any damage.

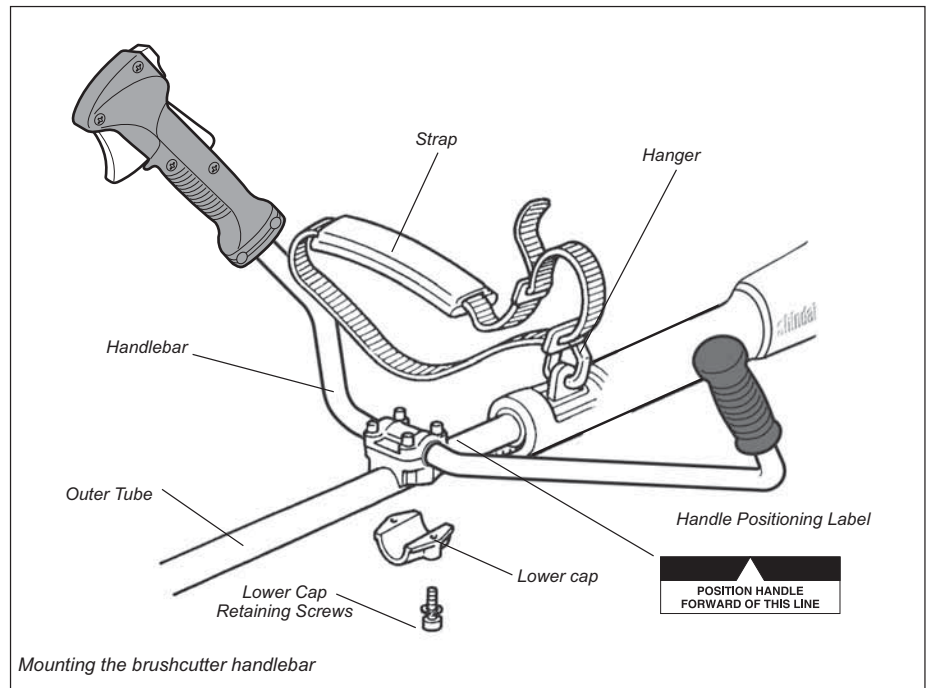
- Engine/Outer tube assembly
- Handlebar and Throttle assembly
- Cutting attachment shield
- Cutting attachment

- Kit containing cutting attachment shield mounting bracket and hardware, this owner's/operator's manual and tool kit for routine maintenance. Tool kits vary by model and may include a hex wrench, and a spark plug/screwdriver combination wrench.

Handlebar

Install the handlebar:

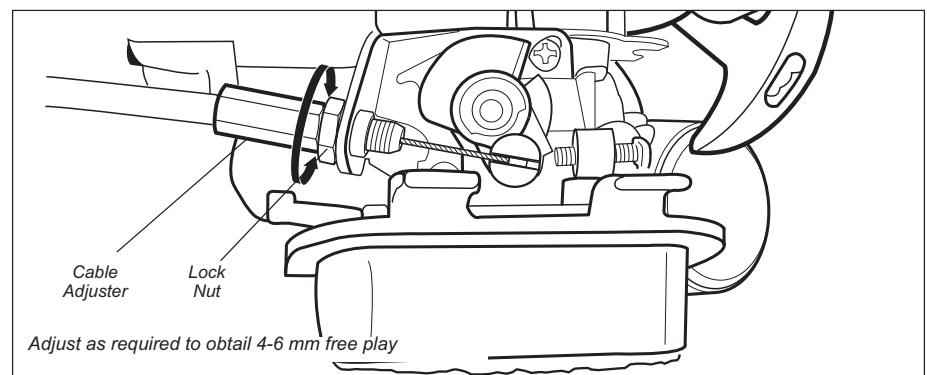
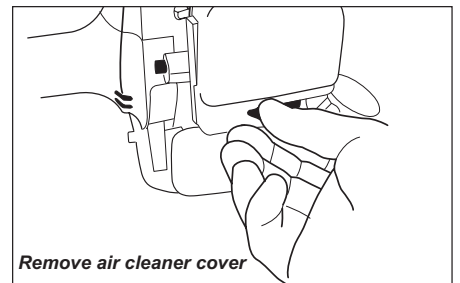
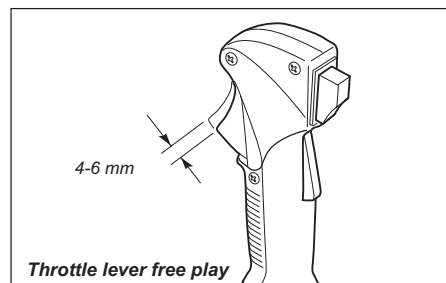
1. Use the 4 mm hex wrench to remove the lower cap retaining screws from the handlebar bracket. Remove the cap from the bracket, and note the position of the two spacers installed between the bracket halves.
2. Position the handle on the outer tube forward of Handle Positioning Label as shown. Reassemble the lower cap to the handlebar bracket in the reverse order of disassembly.
3. Locate the handle in the best position for operator comfort.
4. Firmly tighten both lower cap retaining screws.



Adjust throttle lever free play

The throttle lever free play should be approximately 4-6 mm. Make sure that the throttle lever operates smoothly without binding. If it becomes necessary to adjust the lever free play, follow the procedures and illustrations that follow.

1. Loosen the air cleaner cover knob and remove the air cleaner cover.
2. Loosen the lock nut on the cable adjuster.
3. Turn the cable adjuster in or out as required to obtain proper free play.
4. Tighten the locknut.
5. Reinstall the air cleaner cover.



Assembly (continued)

Cutting Attachment Shield

1. Insert the cutting attachment shield between the outer tube and the cutting attachment mounting plate.

NOTE:

It may be necessary to loosen the retaining nut and clamp screw to adjust cutting attachment shield mounting plate.

2. Fit the two spacers and the bracket over the outer tube and loosely install the four socket-head screws.
3. Tighten the four socket-head cap screws to secure the cutting attachment shield.

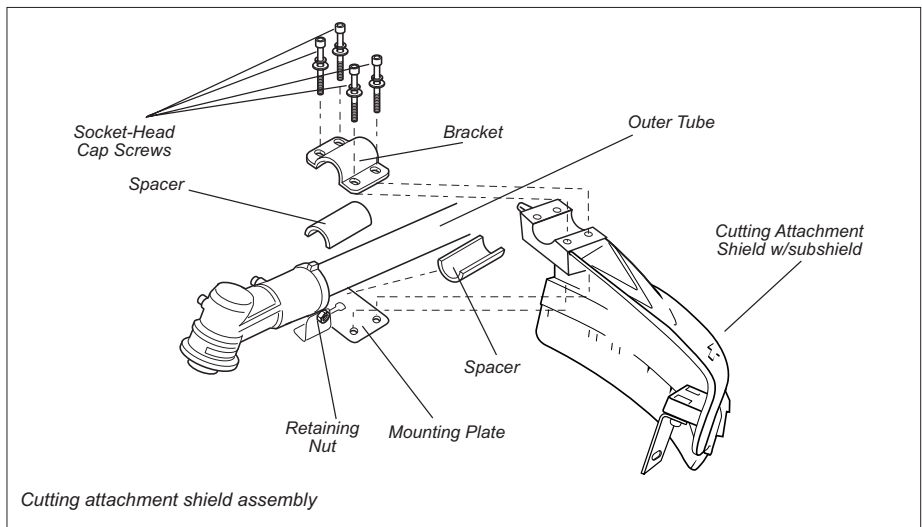
CAUTION!

Make sure the clamp screw and retaining nut are securely tightened before tightening the four socket-head cap screws.



WARNING!

NEVER operate the unit without the cutting attachment shield installed and tightly secured!



Sub-Shield (when trimmer head is in use)

1. Attach the shield extension to the cutting attachment shield.

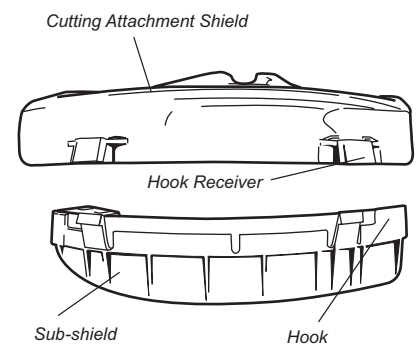


WARNING!

NEVER use this machine without sub-shield when using a trimmer head.

CAUTION!

Make sure the sub-shield is completely hooked at the hook receiver.



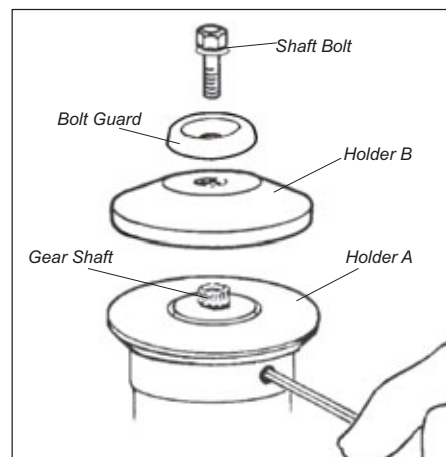
Attach the shield extension to the cutting attachment shield

Installing a Trimmer Head

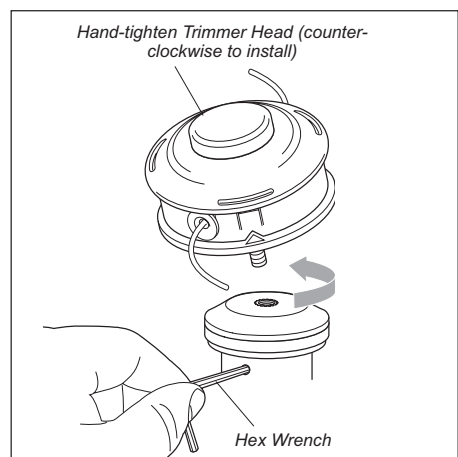
NOTE:

This unit is shipped with Holder A, Holder B, shaft bolt, and bolt guard installed. The shaft bolt is a LEFT-HAND thread. Remove it by turning COUNTERCLOCKWISE!

1. With the gearcase output shaft facing up, rotate the gearshaft and Holder A until the hole in Holder A aligns with the matching hole in the gearcase flange, and then lock the holder to the gearcase by inserting the long end of the hex wrench through both holes.
2. Using the combination spark plug/screwdriver wrench, remove the shaft bolt, bolt guard and Holder B. (The bolt guard and shaft bolt are not used with a trimmer head).
3. Install Holder B on the gearcase shaft. The splined hole on Holder B must engage with the gearcase shaft.



4. Using the hex wrench to secure Holder A, install and hand-tighten the trimmer head (counter-clockwise to install).
5. Remove the hex wrench from the gearcase and holder.



This unit is now completely assembled and ready to use as a trimmer.

Assembly (continued)

Installing Brushcutter Blade



WARNING!

Do not attach any blade to a unit without proper installation of all required parts. Failure to use the proper parts can cause the blade to fly off and seriously injure the operator and/or bystanders.

1. Turn the unit upside down so the gear case output shaft is facing UP and remove the shaft bolt, bolt guard and holder B from the gear case shaft.
2. Align the hole in blade holder A with the matching hole in the gear case flange and then temporarily lock the output shaft by inserting a hex wrench through both holes.
3. Fit the blade over the flange on holder A.



WARNING!

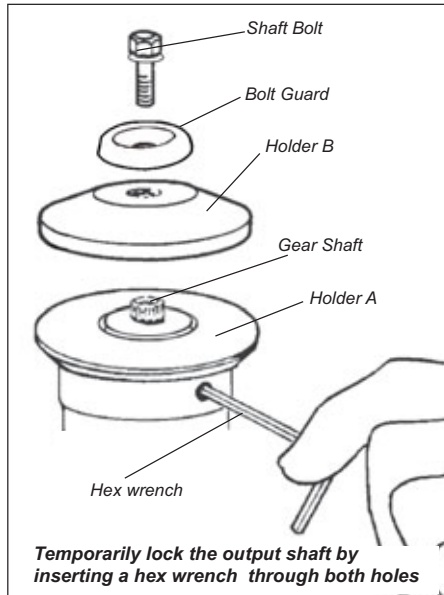
The blade must fit flat against the holder flange. The blade mounting hole must be centered over the raised boss on blade Holder A.

CAUTION!

Install the blade so its printed surface is visible to the operator when the brushcutter is in the normal operating position.

IMPORTANT!

Discard blades that are bent, warped, cracked, broken or damaged in any way. Use a sharp blade. A dull blade is more likely to snag and thrust.



4. Install blade holder B on the output shaft.

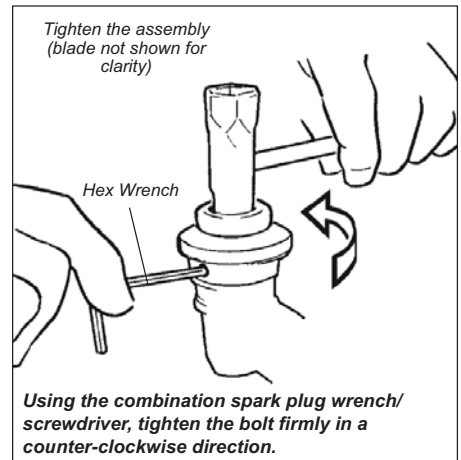
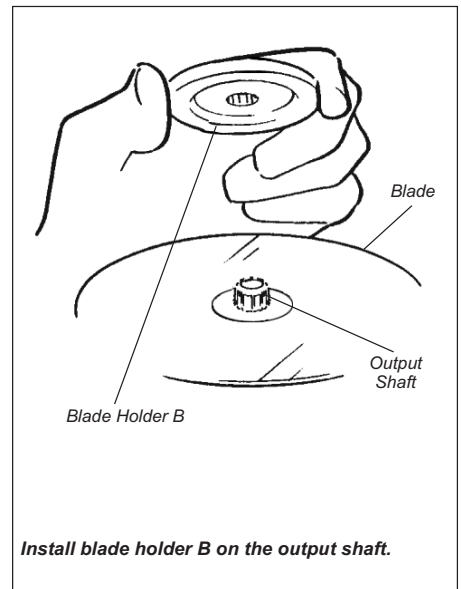


WARNING!

Holder B must fit flush against the blade and the splines engaged to the output shaft.

5. Install the bolt guard and then the blade retaining bolt. Using the combination spark plug wrench/screwdriver, tighten the bolt firmly in a counter-clockwise direction.
6. Remove the hex wrench.

The unit should now be completely assembled and ready for use with a blade.



Mixing fuel

CAUTION

Never use any type of gasoline containing more than 10% alcohol by volume! Some types of gasoline contain alcohol as an oxygenate. Oxygenated gasoline may cause increased operating temperatures. Under certain conditions, alcohol-based gasoline may also reduce the lubricating qualities of some 2-cycle mixing oils.

Generic oils and some outboard oils should never be used in your Shindaiwa engine.

CAUTION

This engine is designed to operate on a 50:1 mixture consisting of unleaded gasoline and ISO-L-EGD or JASO FD class 2-cycle mixing oil only. Use of non-approved mixing oils can lead to excessive carbon deposits.

- Use only fresh, clean unleaded gasoline with a pump octane of 87 or higher.
- Mix all fuel with a 2-cycle air-cooled mixing oil that meets or exceeds ISO-L-EGD and/or JASO FD classified oils at 50:1 gasoline/oil ratio.

CAUTION!

Mix and pour fuel outdoors where there are no sparks and flames.

Examples of 50:1 mixing quantities

U.S.		METRIC	
Gasoline	2-cycle mixing oil	Gasoline	2-cycle mixing oil
US Gallons	Fl.oz.	Liter	cc.
1	2.6	4	80
2	5.2	8	160
5	13	20	400
10	25.6	30	600
20	51.2	50	1000
50	128	100	2000

IMPORTANT!

Mix only enough fuel for your immediate needs! If fuel must be stored longer than 30 days and **Shindaiwa ONE** oil with fuel stabilizer is not used, it should first be treated with a fuel stabilizer such as STA-BIL™.

Shindaiwa ONE Oil is a registered JASO FD classified oil and also meets or exceeds ISO-L-EGD performance requirements. Shindaiwa One is recommended for use in all Shindaiwa low emissions engines. Shindaiwa One also includes a fuel stabilizer.

Filling the fuel tank



WARNING! Minimize the Risk of Fire

- **NEVER** smoke or light fires near the engine.
- **ALWAYS** stop the engine and allow it to cool before refueling.
- **ALWAYS** Wipe all spilled fuel and move at least 3 meters (10 feet) from the fueling point and source before starting.
- **NEVER** place flammable material close to the engine muffler.
- **NEVER** operate the engine without the muffler and spark arrester screen in place and in good working condition.

- **FUEL IS HIGHLY FLAMMABLE.**
- **ALWAYS** store gasoline in a container approved for flammable liquids.
- **ALWAYS** inspect the unit for fuel leaks before each use. During each refill, check that no fuel leaks from around the fuel cap and/or fuel tank. If fuel leaks are evident, stop using the unit immediately. Fuel leaks must be repaired before using the unit.
- **ALWAYS** move the unit at least 3 meters (10 feet) away from a fuel storage area or other readily flammable materials before starting the engine.

1. Place the unit on a flat, level surface.
2. Clear any dirt or other debris from around the fuel filler cap.

CAUTION!

Slowly remove the fuel cap only after stopping the engine

3. Remove the fuel cap, and fill the tank with clean, fresh fuel.
4. Reinstall the fuel filler cap and tighten firmly.
5. Wipe away any spilled fuel before starting engine.

Starting the Engine

IMPORTANT!

Engine ignition is controlled by a two position switch mounted on the throttle housing labeled, "I" for ON or START and "O" for OFF or STOP.

WARNING!
Never start the engine from the operating position.

1. Slide the ignition switch to the "I" position.
2. Press the primer bulb until fuel can be seen flowing in the transparent return tube.

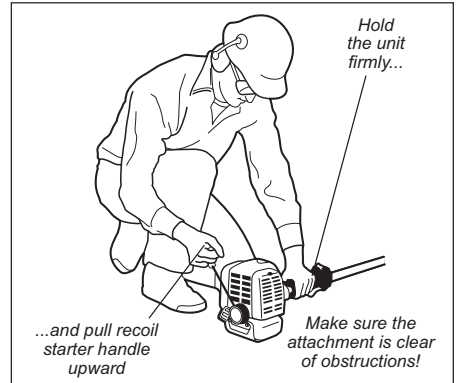
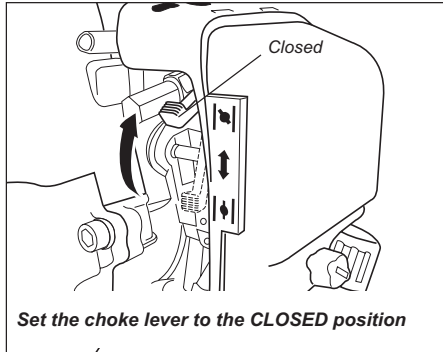
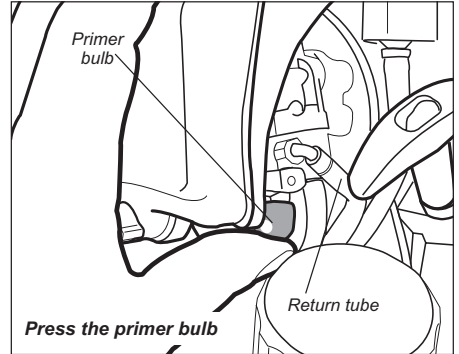
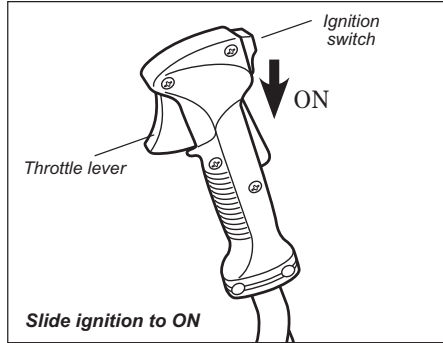
IMPORTANT!

The primer system only pushes fuel through the carburetor. Repeatedly pressing the primer bulb will not flood the engine with fuel.

3. Set the choke lever to the CLOSED position if engine is cold.
4. While holding the outer tube firmly with left hand. Use your other hand to slowly pull the recoil starter handle until resistance is felt, then pull quickly to start the engine.

CAUTION!
Do not pull the recoil starter to the end of the rope travel. Pulling the recoil starter to the end of the rope travel can damage the starter.

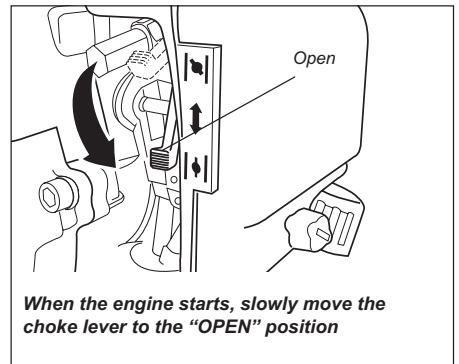
5. When the engine starts, slowly move the choke lever to the "OPEN" position. If the engine stops after the initial start, close the choke and restart.



WARNING!
The cutting attachment may move when the engine is started! Keep your hands and your body away from the cutter assembly while starting the engine!

IMPORTANT!

If the engine fails to start after several attempts with the choke in the closed position, the engine may be flooded with fuel. If flooding is suspected, refer to the "Starting a Flooded Engine" section of this manual.



When the Engine Starts...

- After the engine starts, allow the engine to warm up at idle 2 or 3 minutes before operating the unit.
- After the engine is warm, pick up the unit and clip on the shoulder strap, if so equipped.

- Advancing the throttle makes the cutting attachment move faster; releasing the throttle permits the attachment to stop moving. If the cutting attachment con-

tinues to move when the engine returns to idle, carburetor idle speed should be adjusted (see "Adjusting Engine Idle").

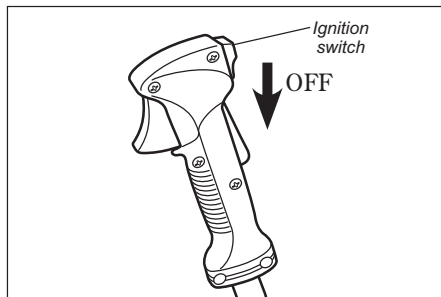
Starting the Engine (continued)

Starting A Flooded Engine

1. Disconnect the spark plug lead and use the spark plug wrench to remove the spark plug (turn counter clockwise to remove).
2. Slide the ignition switch to the "O" (STOP) position.
 - If the spark plug is fouled or soaked with fuel, clean the plug as necessary.
3. Open the choke and fully depress the throttle lever with your left hand, then pull the starter handle rapidly with your right hand to clear excess fuel from the combustion chamber.
4. Replace the spark plug and tighten it firmly with the spark plug wrench. If a torque wrench is available, torque the spark plug to the values recommended in the "Specifications" section.
5. Repeat the starting procedure for a warm engine.
6. If the engine still fails to start, refer to the troubleshooting section near the end of this manual.

Stopping the Engine

1. Idle the engine briefly before stopping (about 2 minutes).
2. Slide the ignition switch to the "O" (Engine OFF) position.



IMPORTANT

When the unit is turned off make sure the cutting attachment has stopped before the unit is set down.

Adjusting Engine Idle

The engine must return to idle speed whenever the throttle lever is released. Idle speed is adjustable, and must be set low enough to permit the engine clutch to disengage the cutting attachment.



WARNING!

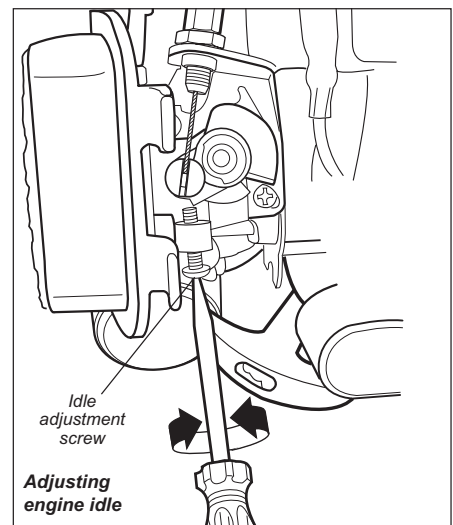
The cutting attachment must NEVER rotate at engine idle! If the idle speed cannot be adjusted by the procedure described here, return the trimmer to your Shindaiwa dealer for inspection.

Idle Speed Adjustment

1. Place the unit on the ground, then start the engine, and then allow it to idle 2-3 minutes until warm.
2. If the attachment rotates when the engine is at idle, reduce the idle speed by turning the idle adjustment screw counter-clockwise.
3. If a tachometer is available, adjust idle. Check Specifications page for correct idle speed

NOTE

Carburetor fuel mixture adjustments are preset at factory and cannot be serviced in the field.



Checking Unit Condition

NEVER operate the unit with the cutting attachment shield or other protective devices removed!

Use only authorized Shindaiwa parts and accessories with your Shindaiwa trimmer. Do not make modifications to this unit without written approval from Shindaiwa, Inc.

ALWAYS make sure the cutting attachment is properly installed and firmly tightened before operation.

NEVER use a cracked or warped cutting attachment: replace it with a serviceable one.

ALWAYS make sure the cutting attachment fits properly into the appropriate attachment holder. If a properly installed attachment vibrates, replace the attachment with new one and re-check.

ALWAYS stop the engine immediately and check for damage if you strike a foreign object or if the unit becomes tangled. Do not operate with broken or damaged equipment.

NEVER allow the engine to run at high RPM without a load. Doing so could damage the engine.

NEVER operate a unit with worn or damaged fasteners or attachment holders.



WARNING!

A cutting attachment shield or other protective device is no guarantee of protection against ricochet. YOU MUST ALWAYS GUARD AGAINST FLYING DEBRIS!

Operation

Shoulder strap



WARNING!

Always wear a shoulder strap or harness when operating this unit. Using a harness with a brushcutter allows you to maintain proper control of the unit and reduces fatigue during extended operation.

1. Hook the strap hook to the hanger on the outer tube.
2. Wear the shoulder strap so that the hook stays at your right hand side.
3. Adjust the length of the shoulder strap so that you can hold and operate the machine comfortably.

Cutting grass with a trimmer head

Your Shindaiwa unit may be equipped with one of several Shindaiwa trimmer head models, each with features for specific applications and/or operational requirements.

NOTE:

For proper operation, always refer to the instructions accompanying the trimmer head being used.

Trimmer head styles:

Semi-automatic. Trimmer line is indexed when the operator taps the trimmer head on the ground during operation.

Manual. The operator indexes line manually with the grass trimmer stopped.

Fixed. The operator must stop the unit and add new lengths of trimmer line manually.

Flail. This device, designed for clearing weeds and light brush, features three nylon blades attached to the head by pivots.

NOTE:

Additional hardware may be required to mount the Fixed Line or the Flail type trimmer heads.

Edging

Tilt the handle about 100° to the left (from horizontal) and move forward, holding the trimmer or brushcutter vertically as shown.

IMPORTANT!

Adjust the shoulder strap so the shoulder pad rests comfortably on the off-side shoulder and the cutting path of the cutting attachment is parallel to the ground. Make sure all hooks and adjustment devices are secure.

NOTE:

Using a shoulder strap when operating this unit with a blade allows you to maintain proper control of the unit and reduces fatigue during extended operation.



Engine Operating Speeds

Operate at full throttle while cutting grass.

CAUTION!

Operation at low rpm can lead to premature clutch failure.

Trimming and Mowing Grass

Hold the grass trimmer so the trimmer head is angled slightly into the area to be cut. To ensure maximum trimmer-line service life, cut only with the tip of the trimmer line. Cut grass by swinging the unit's trimmer head from left to right. Keep the trimmer head horizontal.

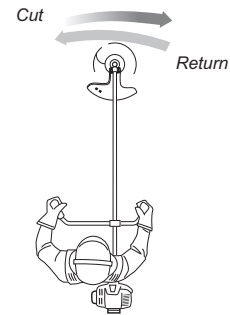
CAUTION!

Do not push the rotating line into trees, wire fences or any material that could tangle or break line ends.

CAUTION!

Use only flexible, nonmetallic line recommended by the manufacturer. Never use, for example, wire or wire-rope, which can break off and become a dangerous projectile.

Cut from left to right

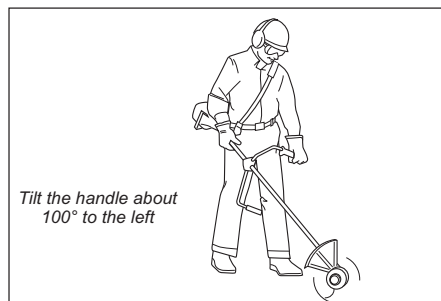


WARNING!

Remove all objects such as rocks, broken glass, nails, wire, or string, which can be thrown or become entangled in the cutting attachment.

CAUTION!

- Operation of trimmer without a cutting attachment shield and using excessive line length can lead to premature clutch failure.
- Operation at low rpm can lead to premature clutch failure.



Operation (continued)

Using a blade



WARNING!

- Before working with a blade-equipped unit, always inspect and clean the area of objects that could interfere with or damage the blade.
- Never use a blade near sidewalks, fence posts, buildings or other objects that could cause injury or damage.
- Never use a blade for purposes other than those for which it was designed.
- Whenever you strike a hard object with a blade, always stop the brushcutter and carefully inspect the blade for damage. NEVER OPERATE THE BRUSHCUTTER WITH A DAMAGED BLADE!
- A blade-equipped unit must be equipped with a bicycle-type handlebar or barrier bar as well as a harness or shoulder strap.
- Always make sure the cutting attachment shield is properly installed before operating this unit.

Blade Thrust

“Blade thrust” is a sudden sideways or backward motion of the brushcutter. Such motion may occur when the blade jams or catches on an object such as a sapling tree or tree stump. **BE CONSTANTLY ALERT FOR BLADE THRUST AND GUARD AGAINST ITS EFFECTS!**



WARNING!

Blade thrust can occur without warning if the blade snags, stalls or binds.



WARNING!

Blade thrust is more likely to occur in areas where it is difficult to see the material being cut.

Brushcutter Handlebar

A brushcutter handlebar or barrier bar helps prevent the operator from moving forward, or the unit moving rearward, thus preventing inadvertent bodily contact with the blade. **ALWAYS KEEP THE HANDLEBAR OR BARRIER BAR SECURELY IN PLACE ON THE UNIT!**

Using a blade

The blade rotates counter-clockwise. For best performance and to minimize being stuck by debris, move the blade from right to left while advancing on your work. Position the blade so cuts are made between the blade’s 8 o’clock and 10 o’clock positions (as viewed from above). **DO NOT** cut between the 10 o’clock and 5 o’clock positions.



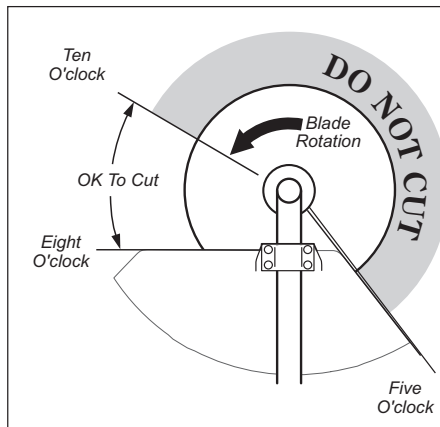
WARNING!

When cutting wood with a blade, feed the blade slowly—never strike or “slam” a spinning blade against the wood.



WARNING!

DO NOT use 2-tooth or non-Shindaiwa approved 4-tooth cutting blades with Shindaiwa trimmers and brushcutters.



Vertical Cuts

Hold the brushcutter with the blade at a 90° angle to the ground so the blade’s bottom edge rotates toward the operator. Move the blade from top to bottom through the cut, and cut only with the bottom edge of the blade.

Brushcutter Shoulder Strap

A shoulder strap provides additional protection against blade thrust. In addition, a shoulder strap gives significant support and comfort to help ensure safe and efficient operation. When operating a unit with a blade, make sure both the handle and shoulder strap are adjusted to the size of the operator using the unit.

Engine Operating Speeds

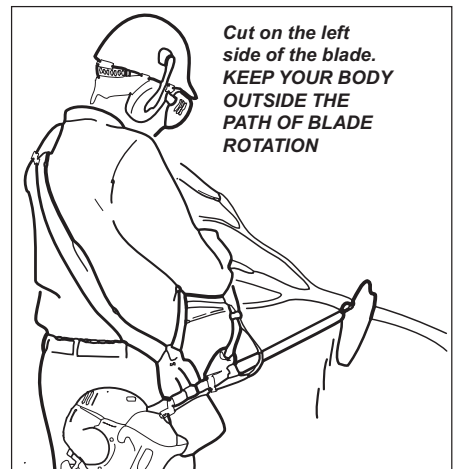
Operate the unit at full throttle while cutting. Best fuel efficiency is obtained by releasing the throttle when swinging back after a cut.

- To prevent possible engine damage, do not allow the brushcutter to run at high speeds without a load.
- Avoid operating the engine at low speeds. Doing so can lead to rapid clutch wear. In addition, slow-speed operation tends to cause grass and debris to wrap around the cutting head.



WARNING!

When making vertical cuts, never allow the blade to exceed waist height.



Maintenance

General maintenance

IMPORTANT!

MAINTENANCE, REPLACEMENT OR REPAIR OF EMISSION CONTROL DEVICES AND SYSTEMS MAY BE PERFORMED BY ANY REPAIR ESTABLISHMENT OR INDIVIDUAL; HOWEVER, WARRANTY REPAIRS MUST BE PERFORMED BY A DEALER OR SERVICE CENTER AUTHORIZED BY SHINDAIWA INC. THE USE OF PARTS THAT ARE NOT EQUIVALENT IN PERFORMANCE AND DURABILITY TO AUTHORIZED PARTS MAY IMPAIR THE EFFECTIVENESS OF THE EMISSION CONTROL SYSTEM AND MAY HAVE A BEARING ON THE OUTCOME OF A WARRANTY CLAIM.



WARNING!

Non-standard accessories, cutting attachment, or replacement parts may not operate properly with your unit and may cause damage and lead to personal injury.

NOTE:

Using non-standard replacement parts could invalidate your Shindaiwa warranty.



WARNING!

Before performing any maintenance, repair, or cleaning work on the unit, make sure the engine and cutting attachment are completely stopped. Disconnect the spark plug wire before performing service or maintenance.

Muffler

This unit must never be operated with a faulty or missing spark arrester or muffler. Make sure the muffler is well secured and in good condition. A worn or damaged muffler is a fire hazard and may also cause hearing loss.

Spark Plug

Keep the spark plug and wire connections tight and clean.

Fasteners

Make sure nuts, bolts, and screws (except carburetor adjusting screws) are tight.

Blades

Keep blades sharp and check blade condition frequently. If a blade's performance changes suddenly, stop the engine and check the blade for cracks or other damage. Replace a damaged blade IMMEDIATELY!



WARNING!

- Never repair a damaged blade by welding, straightening, or by modifying its shape. An altered blade may break during operation, resulting in serious personal injury.
- DO NOT use 2-tooth or NON-Shindaiwa approved 4-tooth cutting blades on Shindaiwa trimmers or brushcutters.
- Blades are not interchangeable between Shindaiwa edgers and trimmer/brushcutter models. Operating any unit with a blade or attachment not approved for that unit can be hazardous and may cause serious injury.

Daily maintenance

Prior to each work day, perform the following:

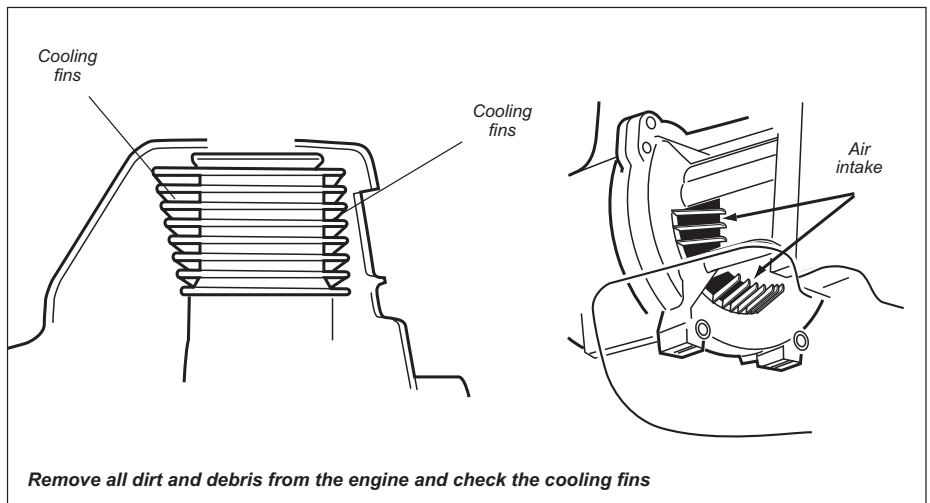
- Remove all dirt and debris from the engine, check the cooling fins and air cleaner for clogging, and clean as necessary.
- Carefully remove any accumulations of dirt or debris from the muffler and fuel tank. Check cooling air intake area at base of crankcase. Remove all debris. Dirt build-up in these areas can lead to engine overheating, fire, or premature wear.



WARNING!

Always wear gloves when working around the cutter assembly.

- Lubricate the blades before use and after refueling. Check the cutters for damage or incorrect adjustment.
- Clean any debris or dirt from the cutting attachment.



- Check for loose or missing screws or components. Make sure the cutter attachment is securely fastened.
- Check the entire unit for leaking fuel or grease.
- Make sure nuts, bolts, and screws (except carburetor idle speed adjusting screws) are tight.

Maintenance (continued)

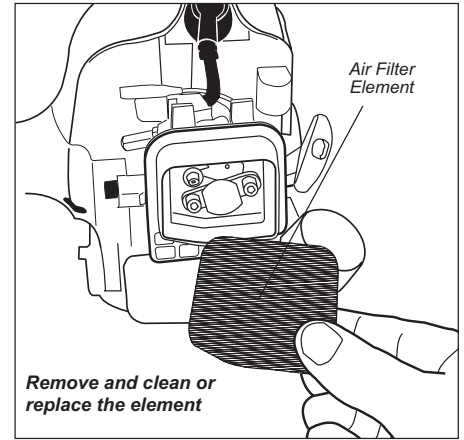
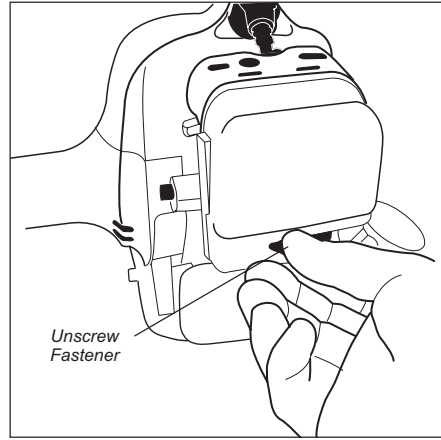
10-hour maintenance

Perform more frequently in dusty or dirty conditions.

Remove the air cleaner filter. Clean or replace as necessary. To clean filter wash it thoroughly in soap and water. Let it dry before reinstalling the filter.

CAUTION!

Do not operate the unit if the air cleaner or filter is damaged, or if the filter is wet or water soaked.



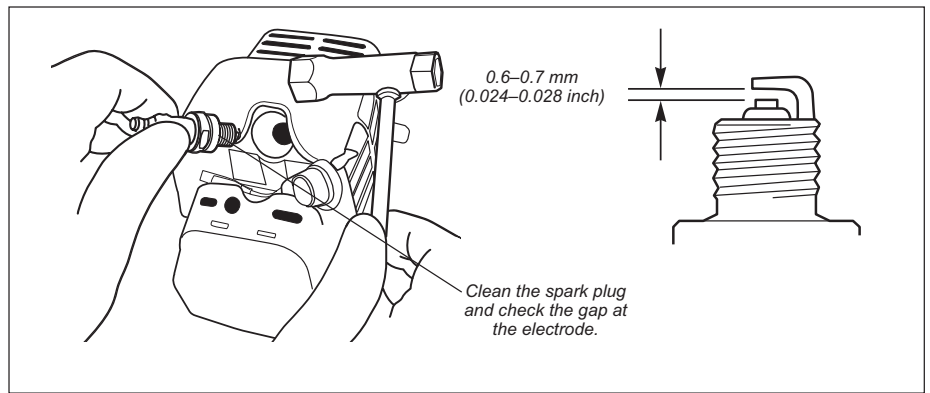
10/15 hour maintenance

Remove and clean or replace the spark plug.

- Clean the spark plug. Adjust electrode gap according to the values listed in the "Specifications" section. If the spark plug must be replaced, use only the type recommended in "Specifications" or equivalent resistor type spark plug of the correct heat range.

CAUTION!

Before removing the spark plug, clean the area around the plug to prevent dirt and debris from getting into the engine's internal parts.



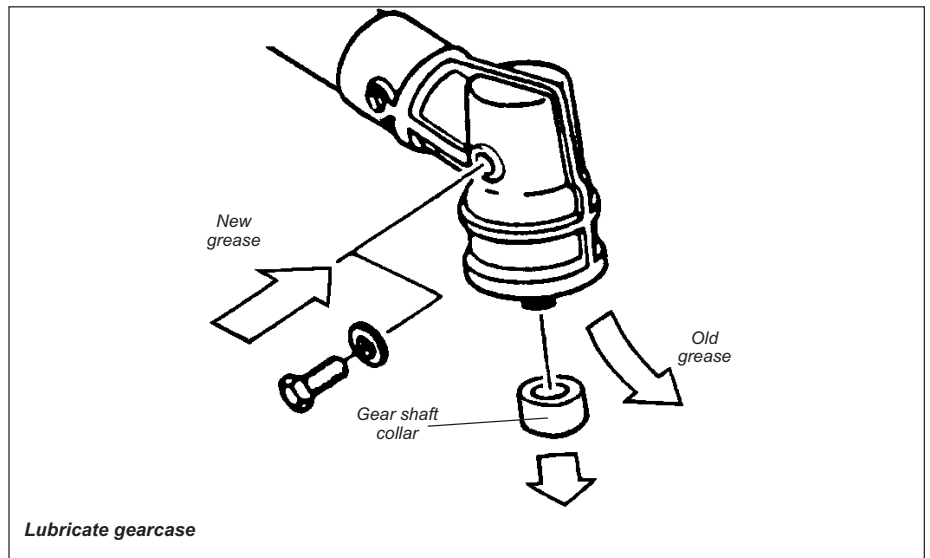
50 hour maintenance

Every 50 hours of operation; more frequently in dusty conditions:

- Remove and clean the cylinder cover and clean dirt and debris from the cylinder cooling fins.

Gearcase lubrication

- Remove and clean the cylinder cover and clean grass and dirt from the cylinder fins.
- Remove the cutting attachment, cutting attachment holder and gearshaft collar. Remove the filler plug from the side of the gearcase and press new grease into the gearcase until old grease is pushed out. Use only lithium-base grease such as Shindaiwa Gearcase Lubricant or equivalent.
- Lubricate mainshaft splines.



Maintenance (continued)

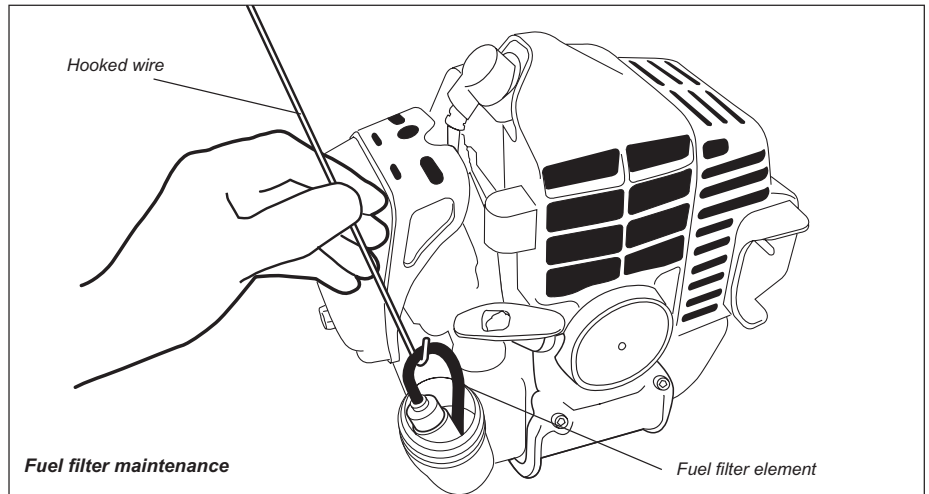
50 hour maintenance

Remove and replace the fuel filter element.

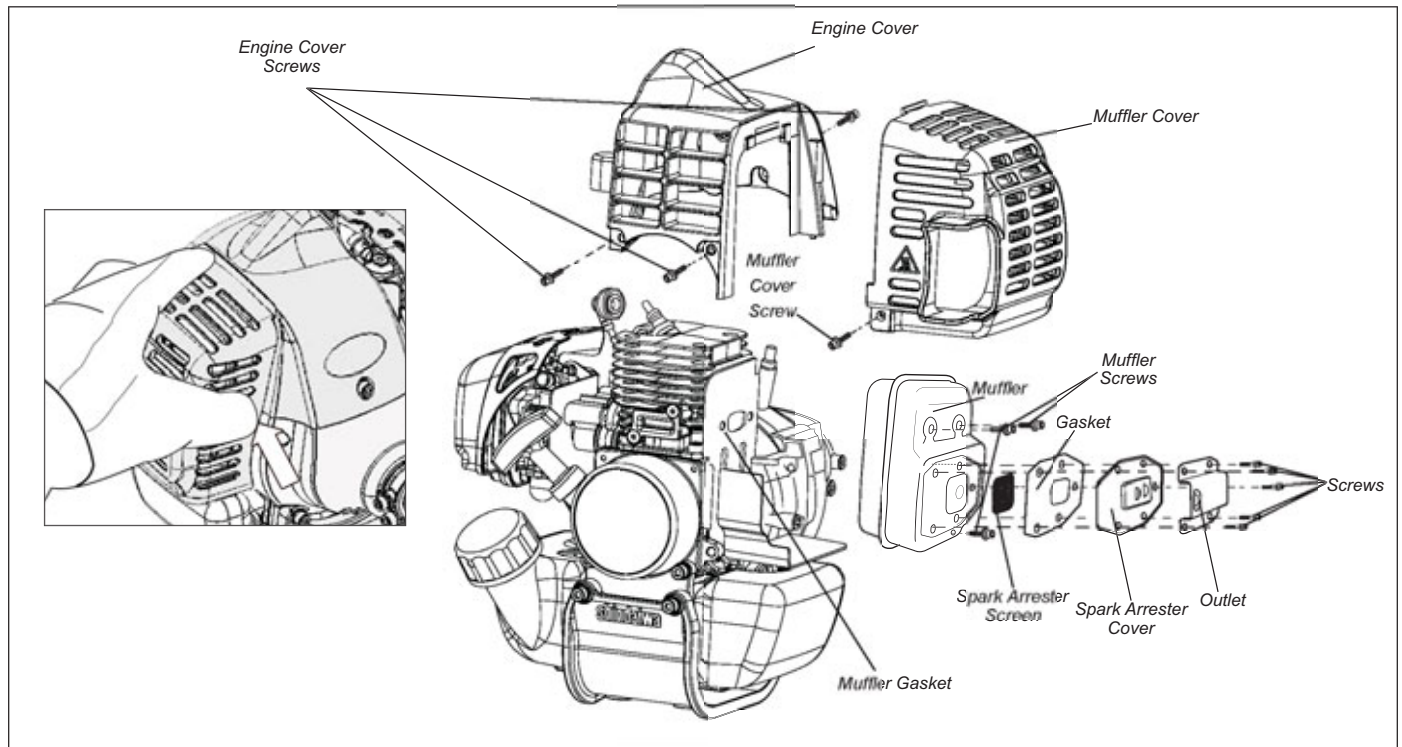
Before reinstalling the new filter element, inspect the condition of all the fuel system components (fuel pick-up line, fuel return line, tank vent line, tank vent, fuel cap and fuel tank). If damage, splitting or deterioration is noted, the unit should be removed from service until it can be inspected or repaired by a Shindaiwa-trained service technician.

CAUTION!

Make sure you do not pierce the fuel line with the end of the hooked wire. The line is delicate and can be damaged easily.



Muffler maintenance



Every 135 hours of operation, remove and clean the muffler.



WARNING!

Never operate the unit with a damage or missing muffler or spark arrester! Operating with a missing or damaged spark arrester is a fire hazard and could also damage your hearing.

If the engine becomes sluggish and low on power, check and clean the spark arrester screen.

1. Remove the spark plug boot.
2. With a 4mm hex wrench remove the 1 muffler cover and 3 engine cover screws and the engine cover. The muffler cover is attached to the engine cover at the top and front by tabs. To remove push inward at arrow area while pulling outward. See insert image.
3. With a Phillips type screwdriver remove the 5 screws holding the spark arrester screen and cover to the muffler.
4. Remove the screen and clean it with a stiff bristle brush.
5. Remove the 3 muffler bolts and the muffler.
6. Inspect the cylinder exhaust port for any carbon buildup.
7. Gently tap the muffler on a wood surface to dislodge any loose carbon.
8. Reassemble the spark arrester, muffler and engine cover in the reverse order of disassembly.

IMPORTANT!

If you note excessive carbon buildup, consult with an authorized Shindaiwa servicing dealer.

Maintenance (continued)

Blade Sharpening



WARNING!

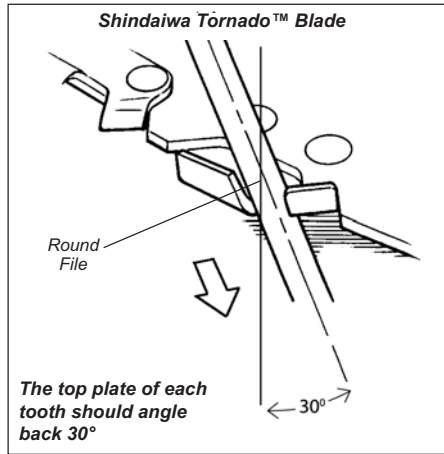
Wear protective gloves when handling or performing maintenance on the blade.

When the cutting edges of the blade become dull, they can be resharpened with a few strokes of a file. In order to keep the blade in balance, all cutting edges must be sharpened equally.



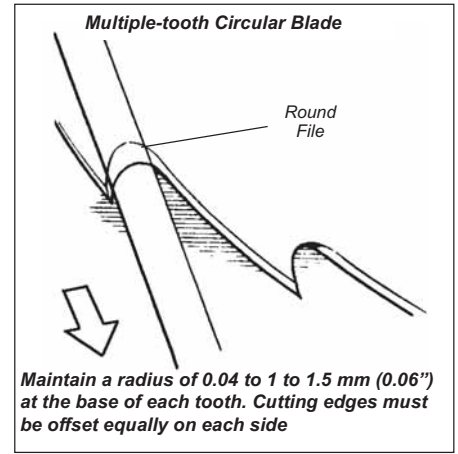
WARNING!

Sharpen only the cutting teeth of a blade. DO NOT alter the contour of the blade in any way.



Shindaiwa Tornado™ Blade

To sharpen the cutters on a Shindaiwa Tornado™ Blade, use a 7/32-inch round file. File the leading edge of each tooth to a razor edge. The top plate of each tooth should angle back 30°.



Multiple-tooth Circular Blade

Use a round file to maintain a radius of 0.04 to 1 to 1.5 mm (0.06") at the base of each tooth. Cutting edges must be offset equally on each side.

Long Term Storage

Whenever the unit will not be used for 30 days or longer, use the following procedures to prepare it for storage:

- Clean external parts thoroughly.
- Drain all the fuel from the carburetor and the fuel tank.

IMPORTANT!

All stored fuels should be stabilized with a fuel stabilizer such as STA-BIL, if **ONE** oil with fuel stabilizer is not used.

CAUTION!

Gasoline stored in the carburetor for extended periods can cause hard starting, and could also lead to increased service and maintenance costs.

- Remove remaining fuel from the fuel lines and carburetor with the fuel drained from the fuel tank. To do so:
 1. Prime the primer bulb until no more fuel is passing through.
 2. Start and run the engine until it stops running.
 3. Repeat steps 1 and 2 until the engine will no longer start.
- Remove the spark plug and pour about 7 mL (1/4 oz.) of 2-cycle mixing oil into the cylinder through the spark plug hole. Slowly pull the recoil starter 2 or 3 times so oil will evenly coat the interior of the engine. Reinstall the spark plug.

- Before storing the unit, repair or replace any worn or damaged parts.
- Remove the air cleaner element from the carburetor and clean it thoroughly with soap and water, let dry and reassemble the element.
- Store the unit in a clean, dust-free area.

Troubleshooting Guide

ENGINE DOES NOT START

What To Check	Possible Cause	Remedy
Does the engine crank?	<p>NO</p> <ul style="list-style-type: none"> Faulty recoil starter. Fluid in the crankcase. Internal damage. 	Consult with an authorized servicing dealer.
YES		
Good compression?	<p>NO</p> <ul style="list-style-type: none"> Loose spark plug. Excess wear on cylinder, piston, rings. 	<ul style="list-style-type: none"> Tighten and re-test. Consult with an authorized servicing dealer.
YES		
Does the tank contain fresh fuel of the proper grade?	<p>NO</p> <ul style="list-style-type: none"> Fuel incorrect, stale, or contaminated; mixture incorrect. 	Refill with fresh, clean unleaded gasoline with a pump octane of 87 or higher mixed with a 2-cycle mixing oil that meets or exceeds ISO-L-EGD and/or JASO FD classified oils at 50:1 gasoline/oil ratio.
YES		
Is fuel visible and moving in the return line when priming?	<p>NO</p> <ul style="list-style-type: none"> Check for clogged fuel filter and/or vent. Primer pump functioning incorrectly. 	<ul style="list-style-type: none"> Replace fuel filter or vent as required. Restart. Consult with an authorized servicing dealer.
YES		
Is there spark at the spark plug wire terminal?	<p>NO</p> <ul style="list-style-type: none"> The ignition switch is in "O" (OFF) position. Shorted ignition ground. Faulty ignition unit. 	<ul style="list-style-type: none"> Move switch to "I" (ON) position and restart. Consult with an authorized servicing dealer.
YES		
Check the spark plug.	<ul style="list-style-type: none"> If the plug is wet, excess fuel may be in the cylinder. The plug is fouled or improperly gapped. The plug is damaged internally or of the wrong size. 	<ul style="list-style-type: none"> Crank the engine with the plug removed, reinstall the plug, and restart. Clean and regap the plug. Check the "Specifications" section for the correct plug electrode gap. Restart. Replace the spark plug. Check the "Specifications" section for the correct plug for your unit. Restart.

Troubleshooting Guide (continued)

LOW POWER

What To Check	Possible Cause	Remedy
<p>Is the engine overheating?</p>	<p>Operator is overworking the unit.</p> <p>Carburetor mixture is too lean.</p> <p>Improper fuel ratio.</p> <p>Fan, fan cover, cylinder fins dirty or damaged</p> <p>Carbon deposits on the piston or in the muffler.</p>	<p>Operate at slower rate. Shorten trimmer line.</p> <p>Consult with an authorized servicing dealer.</p> <p>Refill with fresh, clean unleaded gasoline with a pump octane of 87 or higher mixed with a 2-cycle mixing oil that meets or exceeds ISO-L-EGD and/or JASO FD classified oils at 50:1 gasoline/oil ratio.</p> <p>Clean, repair or replace as necessary.</p> <p>Consult with an authorized servicing dealer</p>
<p>Engine is rough at all speeds. May also have black smoke and/or unburned fuel at the exhaust.</p>	<p>Clogged air cleaner element.</p> <p>Loose or damaged spark plug.</p> <p>Air leakage or clogged fuel line.</p> <p>Water in the fuel.</p> <p>Piston seizure.</p> <p>Faulty carburetor and/or diaphragm</p>	<p>Clean or replace the air filter</p> <p>Tighten or replace the spark plug. Restart. Check the Specifications page in this manual for the correct spark plug for this unit.</p> <p>Repair or replace fuel filter and/or fuel line.</p> <p>Refill with fresh fuel/oil mixture.</p> <p>Consult with an authorized servicing dealer.</p>
<p>Engine is knocking.</p>	<p>Overheating condition.</p> <p>Improper fuel.</p> <p>Carbon deposits in the combustion chamber.</p>	<p>Consult with an authorized servicing dealer.</p> <p>Check fuel octane rating; check for presence of alcohol in the fuel. Refuel as necessary.</p> <p>Consult with an authorized servicing dealer.</p>

Troubleshooting Guide (continued)

ADDITIONAL PROBLEMS

What To Check	Possible Cause	Remedy
<div style="border: 1px solid black; padding: 5px; width: fit-content;"> Poor acceleration. </div>	<ul style="list-style-type: none"> Clogged air filter. Clogged fuel filter. Lean fuel/air mixture. Idle speed set too low. 	<ul style="list-style-type: none"> Clean or replace the air filter. Replace the fuel filter. Consult with an authorized servicing dealer. Adjust idle. Check Specifications page for correct idle speed.
<div style="border: 1px solid black; padding: 5px; width: fit-content;"> Engine stops abruptly. </div>	<ul style="list-style-type: none"> Switch turned off. Fuel tank empty. Clogged fuel filter. Water in the fuel. Shorted spark plug or loose terminal. Ignition failure. Piston seizure. 	<ul style="list-style-type: none"> Reset the switch and re-start. Refuel. See Fuel section of manual. Replace fuel filter. Drain; replace with clean fuel. See Fuel section of manual. Clean or replace spark plug. Check the Specifications page in this manual for the proper spark plug for your unit. Tighten the terminal. Replace the ignition unit. Consult with an authorized servicing dealer
<div style="border: 1px solid black; padding: 5px; width: fit-content;"> Engine difficult to shut off. </div>	<ul style="list-style-type: none"> Ground (stop) wire is disconnected or switch is defective Overheating due to incorrect spark plug Overheated engine. 	<ul style="list-style-type: none"> Test and replace as required. Idle engine until cool. Replace the spark plug. Check the Specifications page in this manual for the proper spark plug for your unit. Idle engine until cool.
<div style="border: 1px solid black; padding: 5px; width: fit-content;"> Cutting attachment moves at engine idle. </div>	<ul style="list-style-type: none"> Engine idle too high. Broken clutch spring or worn clutch spring boss. Loose attachment holder. 	<ul style="list-style-type: none"> Adjust idle. Check Specifications page for correct idle speed. Replace spring/shoes as required. Inspect and re-tighten holders securely.
<div style="border: 1px solid black; padding: 5px; width: fit-content;"> Attachment will not move. </div>	<ul style="list-style-type: none"> Shaft not installed in powerhead or gearcase. Broken shaft. Damaged gearcase. 	<ul style="list-style-type: none"> Inspect and reinstall as required. Consult with a authorized servicing dealer.
<div style="border: 1px solid black; padding: 5px; width: fit-content;"> Excessive vibration. </div>	<ul style="list-style-type: none"> Warped or damaged attachment. Loose gearcase. Bent main shaft/worn or damaged bushings. Trimmer line not wound properly on spool. 	<ul style="list-style-type: none"> Inspect and replace attachment as required. Tighten gearcase securely. Inspect and replace as necessary. Rewind trimmer line.
<div style="border: 1px solid black; padding: 5px; width: fit-content;"> Engine will not idle down. </div>	<ul style="list-style-type: none"> Engine idle is set too high. Engine has air leak. 	<ul style="list-style-type: none"> Adjust idle. Check Specifications page for correct idle speed. Consult with a authorized servicing dealer.

Emission System Warranty Statement

Your Warranty Rights and Obligations

The California Air Resources Board, the U.S. Environmental Protection Agency and Shindaiwa Inc. are pleased to explain the exhaust and evaporative emission control system warranty on your new small off-road (non-road) engine.

In California, new small off-road engines must be designed, built, and equipped to meet the State's stringent anti-smog standards. In other states, new 1997 and later non-road engines must meet the Federal EPA's stringent anti-smog standards.

Shindaiwa Inc. must warrant the emission control system on your small off-road engine for the periods of time listed below, provided there has been no abuse, neglect, or improper maintenance of your small off-road engine.

Your engine exhaust and evaporative emission control system includes parts such as the carburetor, fuel tank, the ignition system and, if equipped, the catalytic converter. These components are specifically listed below.

Where a warrantable condition exists, Shindaiwa Inc. will repair your small off-road engine at no cost to you including diagnosis, parts, and labor.

Manufacturer's Warranty Coverage

When sold within the U.S., this engine's emission control system is warranted for a period of two (2) years from the date this product is first delivered to the original retail purchaser.

During the warranty period, Shindaiwa Inc. will, at their option, repair or replace any defective emission-related component on this engine. During the original Warranty Period, these Warranty Rights are automatically transferable to subsequent owners of this product.

What is Covered by this Warranty

1. Carburetor Internal Components
 - Throttle Valve, Needle, Jet, Metering Diaphragm
2. Fuel Tank
3. Ignition System Components
 - Ignition Coil
 - Flywheel Rotor
4. Catalytic Converter (if originally equipped)

The emission control system for your particular Shindaiwa engine may also include certain related hoses and connectors.

Owners Warranty Responsibilities

As the small off-road engine owner, you are responsible for the performance of the required maintenance listed in this owners manual. Shindaiwa Inc. recommends that you retain all receipts covering maintenance on your small off-road engine, but Shindaiwa Inc. cannot deny warranty solely for the lack of receipts or for your failure to ensure the performance of all scheduled maintenance.

As the small off-road engine owner, you should be aware, however, that Shindaiwa Inc. may deny you warranty coverage if your small off-road engine or a part has failed due to abuse, neglect, improper maintenance, or unapproved modifications.

You are responsible for presenting your small off-road engine to an authorized Shindaiwa Dealer as soon as a problem exists. The warranty repairs should be completed in a reasonable amount of time, not to exceed 30 days.

If you have any questions regarding your warranty rights and responsibilities, you should contact a Shindaiwa customer service representative at (503) 692-3070 or your local Shindaiwa Dealer.

Consequential Damages

In the event that other component parts of this product are damaged by the failure of a warranted part, Shindaiwa Inc. will repair or replace such component parts at no charge to you.

What is Not Covered

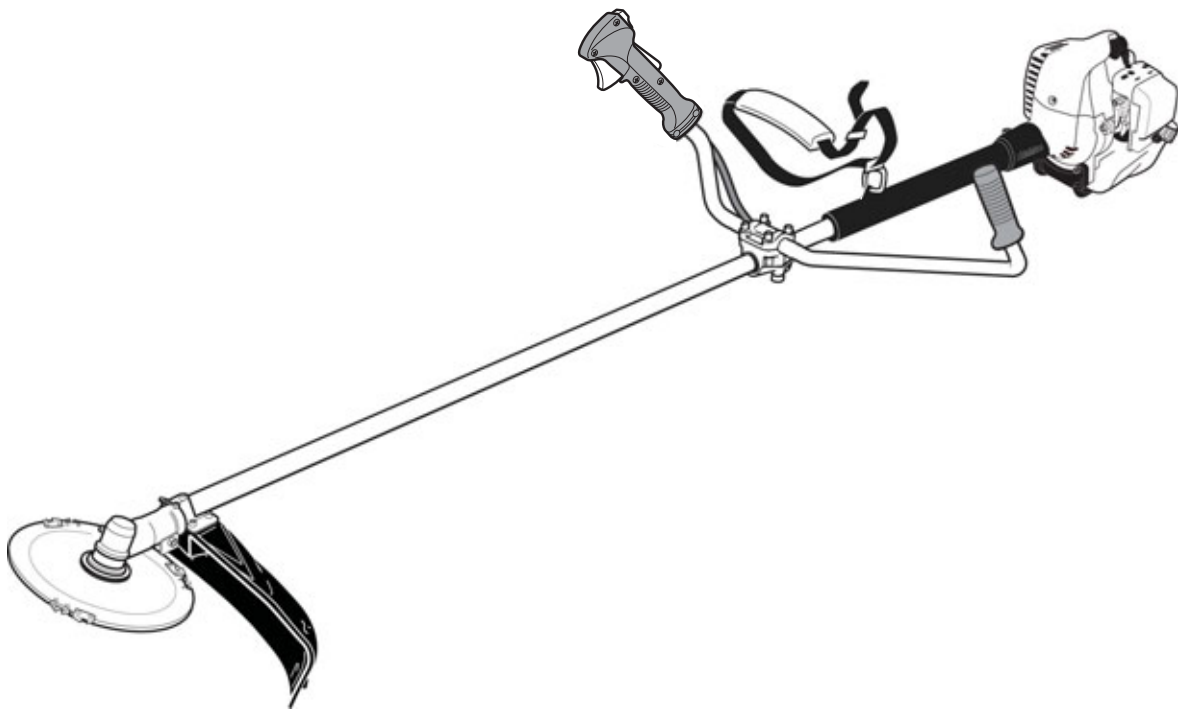
- Failures caused by abuse, neglect, or improper maintenance procedures.
- Failures caused by the use of modified or non-approved parts or attachments.

This Warranty is Administered by:

Shindaiwa Inc.
11975 S.W. Herman Rd.
Tualatin, OR 97062
(503) 692-3070

MANUAL DEL PROPIETARIO/OPERADOR SHINDAIWA

DESMALEZADORA C242/EVC



WARNING!

Disminuya el riesgo de sufrir lesiones o causar lesiones a otros! Lea este manual y familiarícese con su contenido. Siempre use protección para los ojos y oídos cuando opere esta máquina.

shindaiwa®

Número de Parte 89302 Rev. 6/09

Introducción

La serie 242 de Shindaiwa ha sido diseñada y fabricada para ofrecer excelentes niveles de rendimiento y fiabilidad sin comprometer la calidad, la comodidad, la seguridad ni la durabilidad.

Los motores Shindaiwa representan la tecnología líder de motores de alto rendimiento, de poco peso y pequeña cilindrada con excepcional alta potencia. Como propietario/operario, usted no tardará en comprobar que Shindaiwa es la única máquina en esta clase!

¡IMPORTANTE!

La información contenida en este manual describe unidades disponibles a la fecha de su publicación.

Shindaiwa Inc. se reserva el derecho de realizar cambios a sus productos sin previo aviso, y sin la obligación de hacer modificaciones a máquinas fabricadas previamente.



¡ADVERTENCIA!

Las emisiones emitidas por el tubo de escape de este producto contienen substancias químicas que en el estado de California son consideradas como causantes de cáncer, defectos congénitos u otros efectos nocivos a la reproducción humana.

Contenido

	PÁGINA		PÁGINA		PÁGINA
Seguridad.....	SP_3	Llenando el Tanque de Combustible.....	SP_9	Operación.....	SP_12
Descripción del Producto.....	SP_5	Arranque del Motor	SP_10	Mantenimiento	SP_14
Especificaciones.....	SP_5	Parada del Motor.....	SP_11	Almacenamiento de Largo Plazo.....	SP_17
Ensamblaje.....	SP_6	Ajuste de Marcha Mínima.....	SP_11	Guía Diagnostico.....	SP_18
Mezcla de Combustible.....	SP_9	Verifique la Condición de la Unidad.....	SP_11	Declaración de Garantía	SP_21

¡IMPORTANTE!

El propósito de los procedimientos operacionales descritos en este manual es ayudarle a obtener el más alto rendimiento de su máquina y proteger a usted y a otras personas de sufrir lesiones. Estos procedimientos son pautas operativas para una operación segura bajo la mayoría de condiciones y no tienen el propósito de substituir las normas y/o leyes vigentes en su área. Si tiene alguna pregunta relacionada con su unidad o si no entiende alguna información contenida en este manual, consulte a su distribuidor Shindaiwa, quien le atenderá con gusto. También puede comunicarse con Shindaiwa Inc. a la dirección que aparece en la contra portada de este manual.

Declaraciones De Seguridad

A través de este manual se encuentran “declaraciones de seguridad” especiales.



¡PELIGRO!

Toda explicación precedida por el símbolo de atención triangular y la palabra “PELIGRO” indica una situación potencialmente peligrosa que, en caso de no evitarse, se causarán lesiones graves o incluso la muerte.



¡ADVERTENCIA!

Toda explicación precedida por el símbolo de atención triangular y la palabra “ADVERTENCIA” indica una situación potencialmente peligrosa que, en caso de no evitarse, PODRÁ provocar la muerte o lesiones graves.

¡PRECAUCIÓN!

Toda explicación precedida por la palabra “PRECAUCIÓN” contiene información de obligado cumplimiento para evitar que se produzcan daños en la máquina.

¡IMPORTANTE!

Toda explicación precedida por la palabra “IMPORTANTE” tiene especial trascendencia.

NOTA:

Toda explicación precedida por la palabra “NOTA” contiene información que conviene conocer y que puede facilitarle su trabajo.

Etiquetas de seguridad



Lea y siga las recomendaciones de este manual del operario. De no hacerlo podrá resultar en lesiones graves.



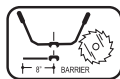
Manténgase alerta por objetos lanzados o rebotes.



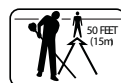
Si la unidad se utiliza como desmalezadora, protéjase contra posibles retrocesos de la cuchilla. Al atascarse, la cuchilla puede producir un tirón brusco y provocar que el operador pierda el control del aparato.



Use protección para los ojos y protección para los oídos en todo momento que este operando esta máquina.



NO UTILICE este aparato con una cuchilla salvo que esté equipado con un manillar o una barrera autorizados por Shindaiwa.



Mantenga a los transeúntes a una distancia mínima de 15 metros (50 pies) mientras la máquina este en operación.



Póngase siempre un arnés cuando use esta unidad con una cuchilla. También se recomienda utilizar un arnés para trabajar con hilo de podadora.

Seguridad

Trabaje con cuidado

Podadoras y desesmalezadora Shindaiwa operan a velocidades altas y pueden causar daños o lesiones serias si son mal usadas o abusadas. Nunca permita que una persona sin entrenamiento o instrucción opere esta unidad!



¡ADVERTENCIA!

Nunca instale accesorios no autorizados.

Mantengase Alerta

Usted debe estar en optimas condiciones física y mental para operar esta maquina en forma segura.



¡ADVERTENCIA!

Nunca opere ninguna maquinaria motorizada si está cansado o si está bajo la influencia de alcohol, drogas o medicamentos o cualquier otra substancia que pueda afectar su habilidad y juicio.



¡ADVERTENCIA!

Use Buen Juicio

Inspeccione **SIEMPRE** la unidad antes de cada uso. Sustituya cualquier pieza dañada.

NUNCA opere el motor cuando transporte la unidad.

NUNCA opere la unidad en el interior! Cerciorese que siempre haya buena ventilación. El humo o gases del escape del motor pueden causar serias lesiones o la muerte.

SIEMPRE mantenga su área de trabajo libre de basura u objetos que pueden rebotar contra usted o contra transeúntes.

SIEMPRE use el accesorio de corte apropiado.

SIEMPRE pare el motor inmediatamente si repentinamente empieza a vibrar. Inspeccione el accesorio de corte por partes quebradas, faltantes o instaladas incorrectamente.

NUNCA extienda el cable de nylon más allá de lo especificado para su máquina.

SIEMPRE mantenga la máquina lo más limpia posible. Manténgala libre de vegetación, barro, etc.

SIEMPRE sujete la máquina firmemente con ambas manos cuando corte o recorte. Mantenga el control en todo momento.

SIEMPRE mantenga los mangos limpios.

SIEMPRE desconecte el cable de bujía antes de hacer mantenimiento a la máquina.

Siempre, apague el motor de inmediato si el disco/cuchilla se enreda en un corte. apague el motor inmediatamente. Saque la rama o árbol para liberar el disco/cuchilla.

Etiquetas de seguridad

¡IMPORTANTE!

Información de Operación: Asegurese que toda las etiquetas estén libres de daños y legibles. Reemplace inmediatamente etiquetas dañadas o faltantes. Etiquetas nuevas están disponibles en su centro de servicio local autorizado de Shindaiwa.

Seguridad (continuación) El operario debidamente equipado

Casco protector o gorra y protector de oídos son requeridos al usar desmalezadoras equipadas con cuchillas para corte de pequeños árboles. Exposición prolongada a ruidos extremos puede causar afecciones auditivas o sordera.

La exposición prolongada al ruido excesivo es fatigante y puede ocasionar problemas auditivos. El uso de protección adecuada en los oídos puede reducir este peligro potencial.

Use ropa de su talla para proteger su piernas y brazos. Los guantes siempre proveen protección adicional y son altamente recomendados. No use ropa holgada o joyas que puedan atascarse en la máquina o en la vegetación. Amárrese el cabello largo de tal forma que esté sobre el nivel de los hombros. **NUNCA** use pantalones cortos.

Exponerse a vibraciones por largos periodos puede afectar sus manos.

Mantenga una posición segura y nunca extienda el cuerpo- mantenga su balance en todo momento durante el uso de la máquina.

Use calzado apropiado (botas o zapatos antideslizantes): no use zapatos con los dedos descubiertos o sandalias. **Nunca opere la máquina descalzo!**



Siempre use protección para los ojos tal como lentes de seguridad para protegerse de objetos lanzados. Use un protector auditivo y un casco o sombrero.

Siempre haga uso del arnés cuando opere la unidad. Esto le añade comodidad y ayuda a mantener niveles de seguridad adecuados durante el movimiento de avance o retroceso. Con el arnés ajustado adecuadamente la unidad logra un balance correcto paralelo con el suelo.

Siempre opere con ambas manos sujetando el mango firmemente.

Al operar con cuchilla, asegúrese de que el mango de apoyo esté posicionado para proveerle el máximo control y protección. Asegúrese siempre que el mango de apoyo esté instalado de acuerdo a las instrucciones y especificaciones del fabricante.

Siempre cerciórese de que el protector del accesorio de corte esté instalado correctamente y que esté en buena condición. No opere la unidad si el protector de corte se ha olvidado, está suelto o roto.

Manténgase alejado de la línea de corte o disco en rotación en todo momento, y **NUNCA** levante un accesorio en rotación más arriba de su cintura.

Esté alerta del area de trabajo

Evite trabajar durante largo tiempo bajo temperaturas muy calientes o muy frías.

Tenga mucho cuidado al trabajar sobre terrenos resbalosos, especialmente en tiempo de lluvia.

Esté constantemente alerta de los objetos y despojos que puedan ser lanzados por el accesorio de corte o rebotados.

Si hace contacto con un objeto sólido, detenga el motor e inspeccione el accesorio de corte en busca de daños.



Cerciórese de que los transeúntes u observadores estén fuera de la "zona de peligro" de 50 pies usen protección de ojos.

**15 METROS
(50 pies)**

Siempre cerciórese de que el protector del accesorio de corte esté correctamente instalado.

Reduzca el riesgo de que alguien que pase cerca de allí sea golpeado por los objetos que salen despedidos. Asegúrese de que no haya nadie en un radio de 15 metros de distancia de un accesorio en funcionamiento. Pare tan pronto como un cualquier persona o animal se aproxime a menos de 15 metros. Fuera de este radio sigue existiendo riesgo de lesiones por objetos despedidos.

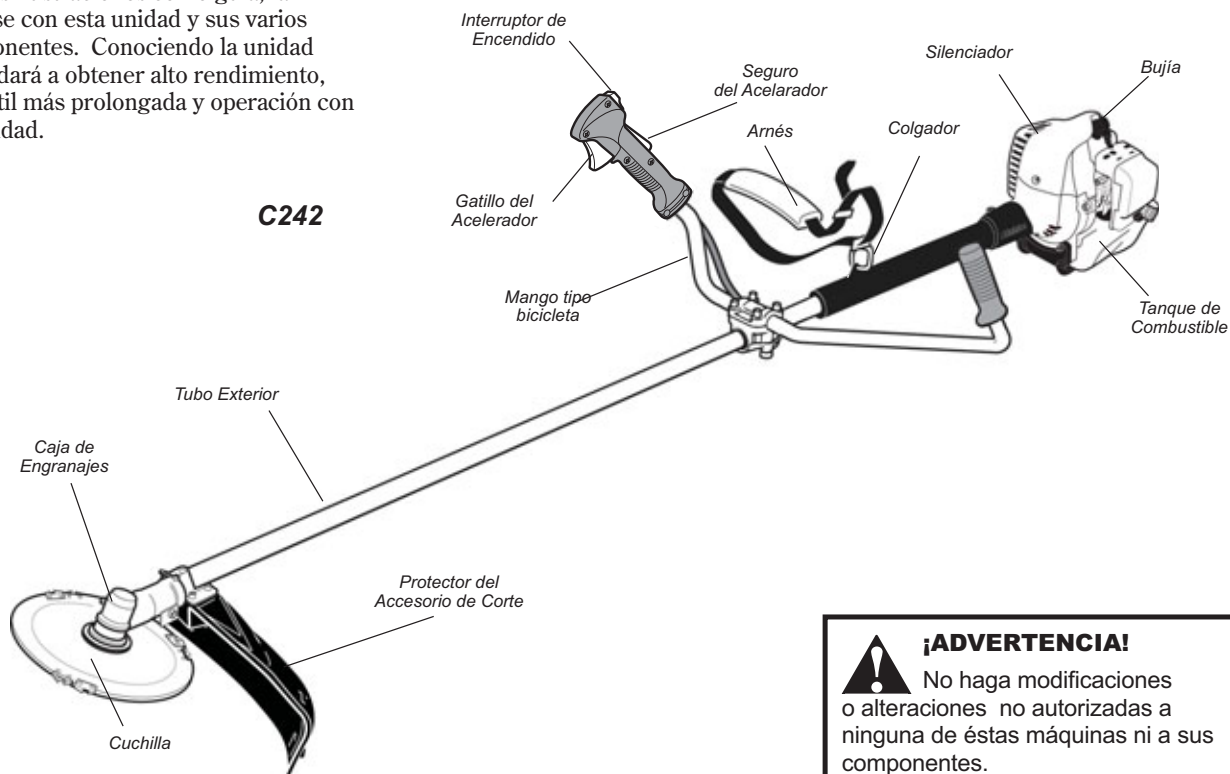
No opere la unidad si el protector está olvidado, suelto o roto.

Manténgase pendiente del disco en rotación cuando corte o pade arbustos. El disco en rotación puede causar lesiones cuando continua girando después de haber soltado el acelerador o después de haber apagado el motor.

SIEMPRE mantenga su área de trabajo libre de basura u objetos que pueden rebotar contra usted o contra transeúntes. Al operar sobre superficies rocosas, próximo a cercas o en zonas de muchos obstáculos debe evitar o disminuir el contacto constante con los mismos.

Descripción del Producto

Use las ilustraciones como guía, familiarícese con esta unidad y sus varios componentes. Conociendo la unidad le ayudará a obtener alto rendimiento, vida útil más prolongada y operación con seguridad.



¡ADVERTENCIA!
 No haga modificaciones o alteraciones no autorizadas a ninguna de estas máquinas ni a sus componentes.

Español

Especificaciones

Modelo de Motor	SF242E
Peso sin Combustible (Accesorios incluidos)	5.7 kg / 12.6 lb.
Tipo de Motor	2-ciclo catalizador
Diámetro x Carrera	33 x 28 mm / 1.3 x 1.1 in.
Cilindrada	23.9 cc / 1.5 cu. in.
Potencia Máxima	1.0 HP / 0.8 kW @ 8000 min ⁻¹ (rpm)
Régimen de giro al ralentí (recomendado)	3,000 (±250) min ⁻¹ (rpm)
Combustible/Aceite	50:1 con ISO-L-EGD o JASO FC aceite de mezcla de motor 2 tiempos
Tipo de Carburador	Walbro WYK, tipo diafragma
Capacidad del Tanque de Combustible	670 ml / 22.3 oz.
Sistema de Encendido	El un-pieza electrónica, el programa controlado
Bujía	NGK BPMR6A
Hueco del electrode	0.6 - 0.7 mm / .024 - .028 "
Torsión	170 - 190 kg cm / 16.7 - 18.6 N-m
Filtro de Aire	elemento espuma no reversibles
Metodo de Arranque	Recular
Metodo de Parada	Interruptor
Tipo de Transmisión	Automática, embrague centrifugo con engranajes helicoidales
Periodo de Cumplimiento con Regulaciones de Emisiones EPA*	Categoría A

Las especificaciones están sujetas a cambios sin previo aviso.

* El período de conformidad de emisiones de la EPA relativo a la etiqueta de conformidad de emisiones colocada en el motor indica el número de horas de funcionamiento en las que el motor ha demostrado cumplir los requisitos de emisiones federales. Categoría C = 50 horas (moderado), B = 125 horas (intermedio) y A = 300 horas (ampliado).

** La NGK BPMR5A también cumple con los requisitos de la regulación de electro magnéticos (EMC).

Ensamblaje

Esta unidad viene completamente ensamblada con la excepción del accesorio de corte y el protector del accesorio de corte.

¡IMPORTANTE!

Los términos “izquierda”, “mano izquierda”, y “LH”; “derecha”, “mano derecha”, y “RH”, “delantera” y “trasera”, indican direcciones desde el punto de vista del operador durante la operación normal de este producto.

Español

Mango tipo bicicleta

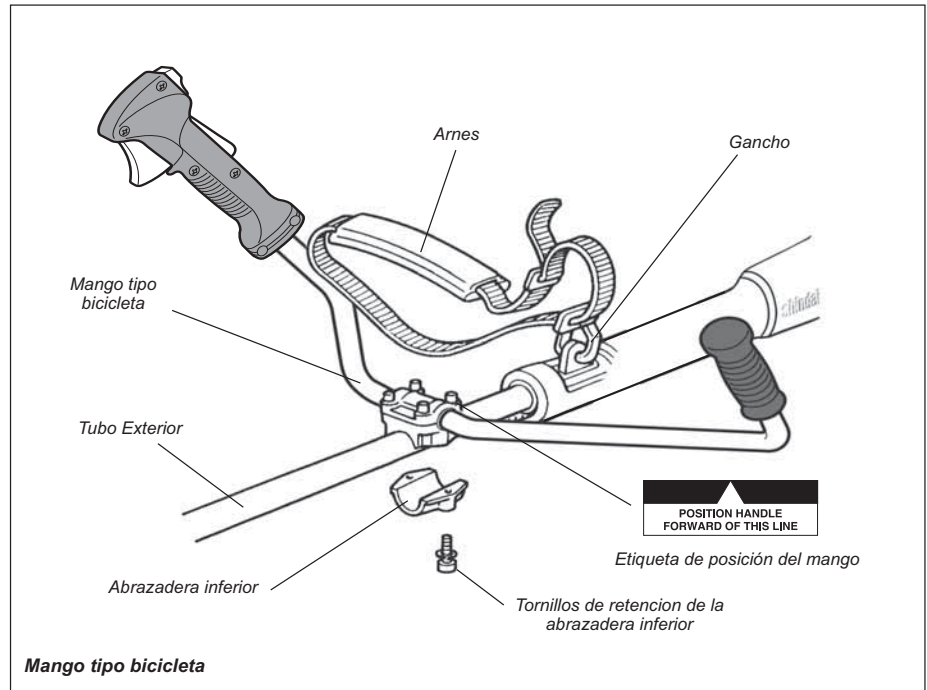
1. Use la llave hexagonal de 4mm para retirar los tornillos de retención de la abrazadera inferior del soporte del mango. Separe la tapa de la abrazadera.
2. Posicione el mango sobre el tubo exterior detrás de la calcomanía del mango. Vuelva a ensamblar la abrazadera inferior al soporte del mango en orden reverso al de ensamblaje.
3. Posicione el mango en una forma confortable para el operador.
4. Apriete firmemente ambos tornillos de retención de la tapa inferior.

Antes de Ensamblar

Antes de ensamblar, cerciéndose de que tenga todos los componentes necesarios para armar una máquina completa e inspeccione la unidad y componentes en busca de daños.

- Ensamblaje del mango tipo bicicleta y ensamblaje del acelerador
- Ensamblaje del motor y eje.

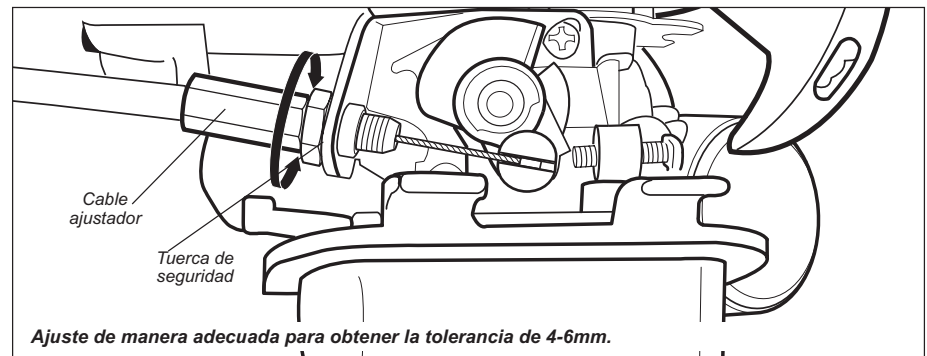
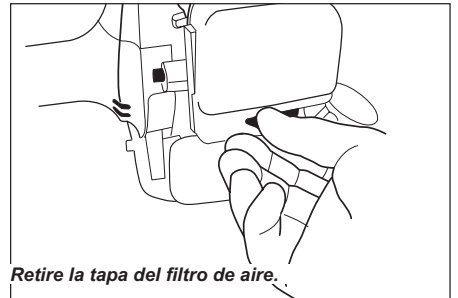
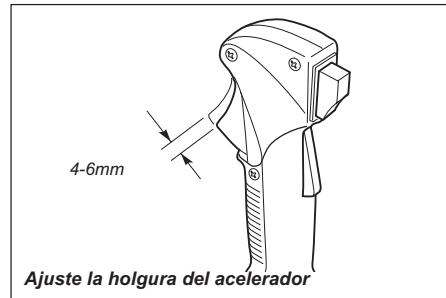
- Protector del accesorio de corte.
- Accesorio de corte.
- Este paquete contiene el soporte y utensilios de metal para montar el protector del accesorio de corte, este manual del propietario/operador y juego de herramientas para mantenimiento rutinario. Los paquetes de herramientas varían por modelo y pueden incluir una llave buja y destornillador, y un raspador.



Ajuste la holgura del acelerador

La holgura del gatillo debe ser aproximadamente de 4.6 mm (3/16-1/4 pulgadas). Cerciéndose que el gatillo de aceleración opere suavemente sin trabarse. Si es necesario ajustar la holgura, siga los procedimientos e ilustraciones a continuación.

1. Afloje el botón de la tapa del filtro de aire y retire la tapa del filtro de aire.
2. Afloje la tuerca de seguridad en el cable ajustador.
3. Gire el cable ajustador hacia dentro o fuera como sea requerido para obtener la holgura apropiada 4.6 mm (3/16-1/4 pulgadas).
4. Apriete las tuercas de seguridad.
5. Reinstale la tapa del filtro de aire.



Ensamblaje (continuación) Protector del accesorio de corte

1. Inserte el protector del accesorio de corte entre el tubo exterior y la placa de montaje.

NOTA:

Pueda que sea necesario aflojar el retén y el tornillo sujetador para ajustar la placa de montaje del protector del accesorio de corte.

2. Coloque los dos espaciadores y el soporte sobre el tubo exterior e instale sin ajustar los cuatro tornillos de cabeza allen y apriete los cuatro tornillos.
3. Apriete los cuatro tornillos de cabeza allen para asegurar el protector del accesorio de corte.

¡PRECAUCIÓN!

Asegurese de que el tornillo sujetador y el retén estén debidamente apretados antes de apretar los cuatro tornillos de cabeza allen.

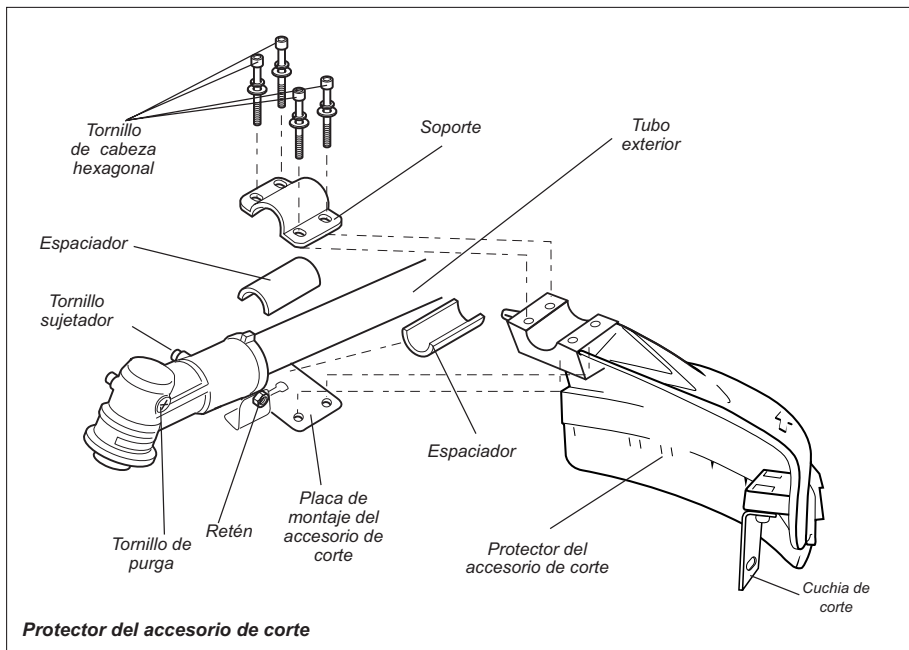
4. Una la extensión del protector al protector del implemento de corte. Enganchando el acople en las canales de encaje.

¡ADVERTENCIA!

NUNCA opere la unidad sin el protector del accesorio de corte instalado y asegurado firmemente.

Protector Secundario (cuando el cabezal está en uso)

1. Conecte el protector secundario a el protector del accesorio de corte.



Protector del accesorio de corte



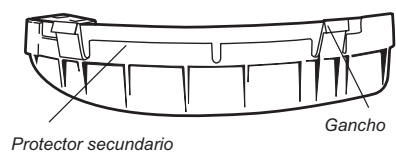
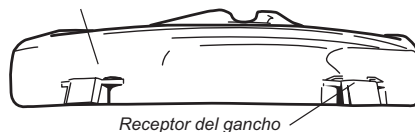
¡ADVERTENCIA

JAMAS utilice esta maquina sin el protector secundario cuando el cabezal de corte esté en uso.

¡PRECAUCIÓN!

Asegurase que el protector secundario este completamente enganchado con el receptor del gancho.

Protector del accesorio de corte



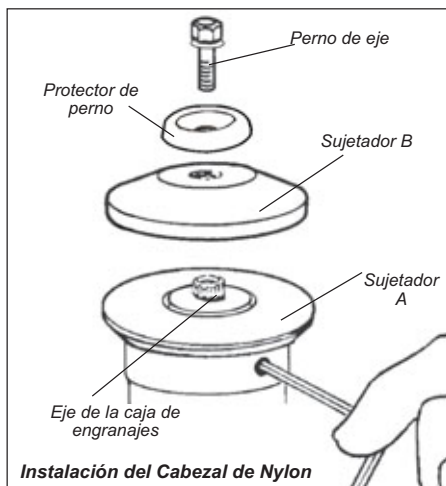
Conecte el protector secundario a el protector del accesorio de corte

Instalación del Cabezal de Nylon

NOTE:

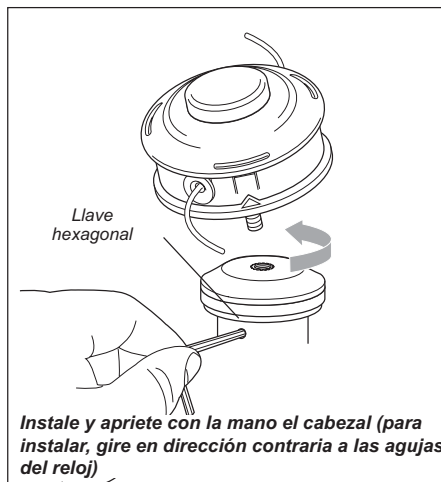
La unidad es enviada con el Sujetador A, el retén de seguridad, el Sujetador B, el perno de eje, y el protector de perno instalado. El perno de eje tiene una rosca izquierda. Gire hacia las agujas del reloj para retirarlo.

1. Con el eje de salida de la caja de engranajes cara arriba, gire el eje central y el sujetador A hasta que la muesca en el sujetador A se alinie con la muesca en el borde de la caja de engranajes, y luego asegure el sujetador a la caja de engranajes insertando el lado más largo de la llave hexagonal a través de ambas muescas.
2. Usando la llave combinación de bujía/destornillador, retire el perno de eje, el protector de perno, el sujetador B y el retén de seguridad. (El protector de perno, perno de eje y el retén de seguridad no son usados con un cabezal de recorte).
3. Instale el sujetador B en el eje de la caja de engranajes. La muesca ranurada del sujetador B debe encajar con el eje de la caja de engranajes.



Instalación del Cabezal de Nylon

4. Usando la llave hexagonal para asegurar el Sujetador A, instale y apriete con la mano el cabezal (para instalar, gire en dirección contraria a las agujas del reloj).
5. Retire la llave hexagonal de la caja de engranajes y del sujetador.



Instale y apriete con la mano el cabezal (para instalar, gire en dirección contraria a las agujas del reloj)

La unidad debe estar ahora completamente ensamblada y lista para ser usada como una podadora.

Ensamblaje (continuación)

Instalación de la cuchilla desmalezadora



¡ADVERTENCIA!

No instale ninguna cuchilla en la unidad sin haber instalado correctamente todas las piezas necesarias. La utilización de piezas inadecuadas puede provocar que la cuchilla salga despedida y lesione seriamente al operador o a los presentes.

1. Ponga la unidad de cabeza, de tal forma que el perno del eje de la caja de engranajes este cara arriba y retire el perno del eje, el protector de perno y el soporte B del eje de la caja de engranajes.
2. Alinie la muesca en el Soporte A con la muesca correspondiente en el borde de la caja de engranajes y luego asegure temporalmente el eje de salida insertando la llave hexagonal a través de ambas muescas.
3. Encaje la cuchilla sobre el borde del Soporte A.



¡ADVERTENCIA!

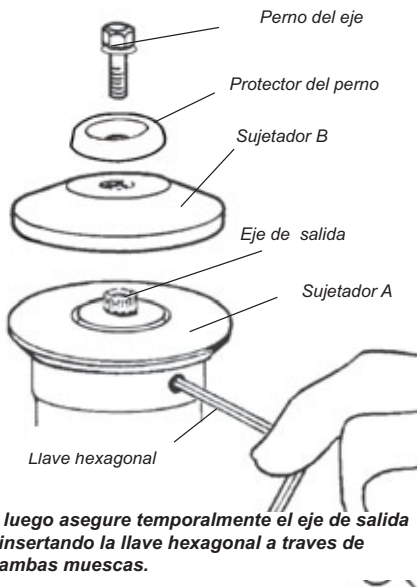
El disco debe encajar en forma plana contra el borde del sujetador. La muesca de montaje del disco debe estar centrada sobre el patrón elevado en el sujetador de disco A.

¡PRECAUCIÓN!

Instale la cuchilla de modo que su superficie impresa sea visible al operador estando la desmalezadora en posición de funcionamiento normal.

¡IMPORTANTE!

Deseche las cuchillas dobladas, combadas, agrietadas, rotas o que presenten cualquier tipo de anomalía. Utilice una cuchilla afilada. Una cuchilla sin filo tiene más probabilidades de engancharse y causar golpes de retroceso.



4. Instale el sujetador B en el eje de salida.

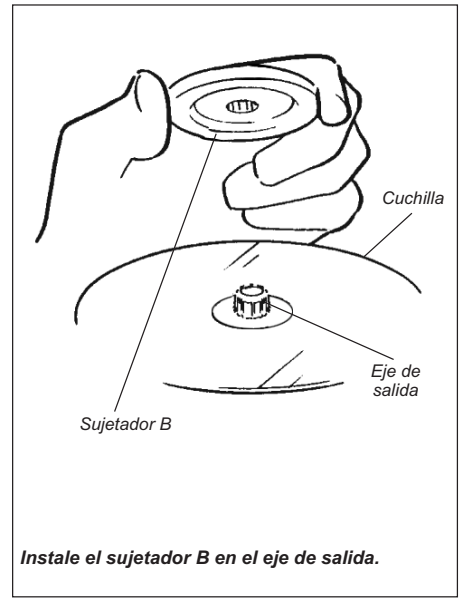


¡ADVERTENCIA!

El soporte B debe acoplarse a ras de la cuchilla y las acanaladuras engranar con el eje de transmisión.

5. Instale el protector de perno y luego el perno de retención de la cuchilla. Usando la llave de bujía/destornillador combinado, apriete el perno firmemente en dirección contraria a las agujas del reloj.
6. Retire la llave hexagonal.

La unidad debe estar ahora completamente ensamblada y lista para ser usada con una cuchilla.



Mezcla de Combustible

PRECAUCIÓN!

- Nunca use ningún combustible que contenga más de 10% de alcohol por volúmen! Algunas gasolinas contienen alcohol como un oxigenante. Combustibles oxigenados pueden aumentar la temperatura del motor durante su funcionamiento. Bajo ciertas condiciones, combustible con alcohol puede reducir la calidad lubricante de algunos aceites de mezcla.
- Aceites genéricos y algunos aceites para motores fuera de borda no deben ser usados en su motor Shindaiwa!

PRECAUCIÓN!

Este motor está diseñado solamente para funcionar con una mezcla de 50:1 de gasolina sin plomo y aceite de mezclar para motores de 2 tiempos. ISO-L-EGD o JASO FD. El uso de aceites de mezclar no autorizados puede conducir a excesos de depósitos de carbón.

- Use solamente gasolina fresca, limpia y sin plomo, con índice de octanaje de 87 o superior.
- Mezcle todo el combustible con aceite de mezclar para motores de 2 tiempos enfriados por aire que cumpla o exceda aceites clasificados ISO-L-EDG y/o JASO FD a proporción de 50:1 gasolina/aceite.

PRECAUCIÓN!

Mezcle y reposte el combustible al aire libre y donde no haya chispas ni llamas.

Ejemplos de cantidades de mezcla a proporción de 50:1

U.S.		Métricas	
Gasolina	Mezclar para motores de 2 tiempos	Gasolina	Mezclar para motores de 2 tiempos
EE.UU. Gallons	EE.UU. Fl.oz.	Liter	cc.
1	2.6	4	80
2	5.2	8	160
5	13	20	400
10	25.6	30	600
20	51.2	50	1000
50	128	100	2000

IMPORTANTE!

Mezcle solamente el combustible necesario para uso inmediato! De ser necesario almacenar el combustible por más de 30 días, y si no se está usando aceite **ONE** con estabilizador de combustible, entonces el combustible debe ser tratado primero con un estabilizador como por ejemplo StaBil™.

El aceite **ONE** es un aceite registrado de JASO FD clasificado y también cumple o excede los requisitos de rendimiento de ISO-L-EGD. Shindaiwa One es recomendado para el uso en todos los motores Shindaiwa de baja emisión. Shindaiwa One también incluye el estabilizador de combustible.

Llenando el Tanque de Combustible



ADVERTENCIA!

Disminuya el riesgo de incendios!

- **NUNCA** fume o encienda fuegos cerca del motor o del combustible!
- **SIEMPRE** mantenga la gasolina en un contenedor aprobado.
- **SIEMPRE** deje pare y enfriar el motor antes de volver a llenar el tanque.
- **SIEMPRE** examine la unidad en busca de posibles fugas de combustible antes de cada uso. Durante cada recarga, asegúrese de que no haya fugas de combustible alrededor de la tapa de combustible y/o del tanque. Si detecta alguna fuga, detenga la unidad inmediatamente. Toda fuga de combustible debe haberse reparado antes de utilizar la unidad.
- **SIEMPRE** limpie todo derrame de combustible y aleje el motor por lo menos 10 pies (3 metros) del depósito de combustible antes de volver a prender el motor!
- **SIEMPRE** antes de volver a encender el motor, aléjelo al menos 3 metros del punto de repostaje, del lugar de almacenamiento y de cualquier material fácilmente inflamable.
- **NUNCA** coloque material inflamable cerca del silenciador del motor!
- **NUNCA** opere el motor sin antes comprobar que el silenciador y guardachispas se están instalados y funcionan correctamente.
- **EL COMBUSTIBLE ES SUMAMENTE INFLAMABLE.**

1. Posicione la máquina sobre una superficie plana y nivelada.
2. Retire cualquier suciedad o despojos alrededor de la tapa de combustible.

PRECAUCIÓN!

Para repostar, retire lentamente el tapón de combustible sólo después de haber apagado el motor.

3. Retire la tapa de combustible y llene el tanque con combustible fresco y limpio.
4. Reinstale la tapa de combustible y apríete firmemente.
5. Limpie todo el combustible derramado antes de volver a arrancar el motor.

Arranque del motor

¡IMPORTANTE!

El encendido del motor está controlado por un interruptor de dos posiciones montado en el mango del acelerador indicado "I" (encendido o arranque) y "O" (apagado o pare).



¡ADVERTENCIA!

Nunca arranque el motor desde la posición de operación.

1. Deslice el interruptor hacia la posición "I" (motor encendido).
2. Presione la bombilla de cebado hasta que vea pasar combustible por el tubo de retorno transparente.

¡IMPORTANTE!

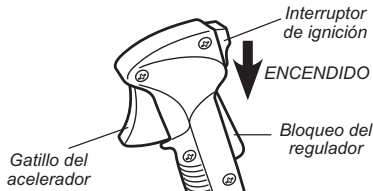
La bomba de cebado solamente empuja combustible a través del carburador. Presionando repetidamente la bomba de cebado no ahogará el motor con combustible.

3. Posicione la palanca del cebador en la posición CLOSED (cerrado) si el motor está frío.
4. Mientras sostiene el tubo exterior firmemente con una mano, jale despacio la cuerda del arrancador recular hasta que sienta resistencia, luego jale rápidamente para arrancar el motor.

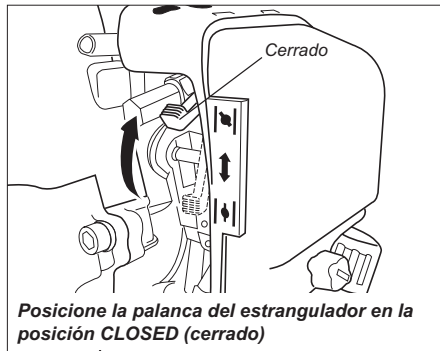
¡PRECAUCIÓN!

No jale el arrancador recular hasta el final de la cuerda. De lo contrario, puede dañar el arrancador.

5. Cuando arranque el motor, mueva despacio la palanca del cebador a la posición "OPEN" (abierto). Si el motor para después del arranque inicial, cierre la palanca del cebador y vuelva arrancar.



Deslice el interruptor hacia la posición "I"

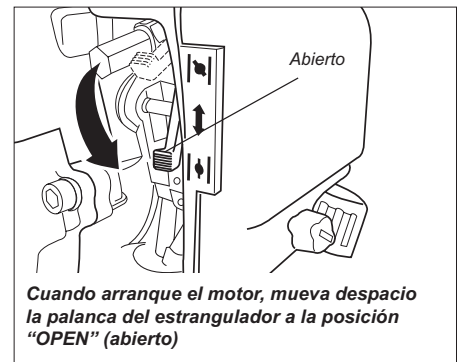
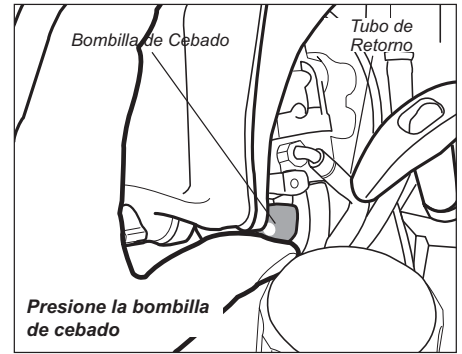


¡ADVERTENCIA!

El accesorio de corte pueda que gire cuando encienda el motor!

¡IMPORTANTE!

Si el motor falla en arrancar después de varios intentos con la palanca del estrangulador en posición cerrada, puede que el motor esté ahogado con combustible. Consulte "Arranque de un motor ahogado" de este manual.



Al arrancar el motor...

■ Tras arrancar el motor, deje que se caliente al ralentí durante 2 ó 3 minutos antes de utilizar la unidad.

■ Una vez caliente el motor, tome la unidad y sujétela a la correa para los hombros, en caso de que disponga de ella.

■ Si se acelera, el accesorio de corte mueva más rápido; si se decelera, el accesorio reduce la movimiento. Si el accesorio de corte sigue mueva cuando el motor vuelve al ralentí, debe ajustarse la velocidad de ralentí del carburador (véase "Ajuste del carburador" en esta página).

Arranque del motor (continuación)

Arranque de un motor ahogado

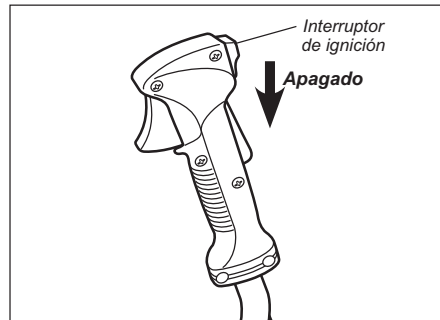
1. Desconecte el cable de la bujía y utilice la llave de bujías para extraer la bujía (para extraer, gire en sentido contrario a las agujas del reloj).
2. Deslice el interruptor de encendido a la posición "O" (APAGADO).
 - Si la bujía está obstruida o empaçada de combustible, limpie la bujía según sea necesario.
3. Abra el estrangulador y presione a fondo la palanca del acelerador con su mano izquierda, a continuación tire rápidamente del tirador de arranque con su mano derecha para limpiar el exceso de combustible de la cámara de combustión.
4. Vuelva a colocar la bujía y apriétela firmemente con la llave de bujías. Si dispone de una llave dinamométrica,

apriete la bujía al valor correcto en la sección "Especificaciones".

5. Repita los procedimientos de arranque para un motor en caliente.
6. Si el motor sigue sin arrancar, consulte la sección de resolución de problemas que se encuentra

Apagado del motor

1. Ponga el motor en marcha mínima por dos o tres minutos antes de apagarlo.
2. Deslice el interruptor de ignición a la posición "O" (motor APAGADO).



IMPORTANTE

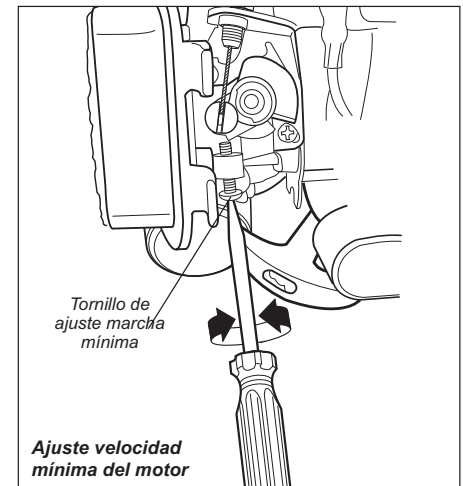
Al apagar la unidad espere que se detenga por completo el cabezal antes de ponerla en el suelo.

Ajuste velocidad mínima del motor

El motor debe retornar a marcha mínima cuando la palanca del acelerador es liberada. La marcha mínima es ajustable y debe ser suficientemente mínima para permitir que el embrague del motor libere el accesorio de corte.

Ajuste de marcha mínima

1. Coloque la unidad en el suelo, luego encienda el motor y déjelo funcionar en marcha mínima durante 2 ó 3 minutos hasta que caliente.
2. Si el accesorio de corte gira mientras el motor está en marcha mínima, reduzca la marcha mínima, girando el tornillo de ajuste de marcha mínima en el sentido contrario a las agujas del reloj.
3. Si tiene un tacómetro disponible, consulte la sección "Especificaciones" para el régimen de giro al ralentí.



NOTA

Los ajustes de mezcla de carburador son prefijados en la fábrica y no pueden ser cambiados en el campo.



¡ADVERTENCIA!

El accesorio de corte NUNCA debe girar en marcha mínima! Si la marcha mínima no puede ser ajustada por el procedimiento descrito aquí, entonces devuelva la unidad a su distribuidor Shindaiwa para inspección.

Verifique la condición de la unidad

NUNCA opere la unidad sin el protector del accesorio de corte o sin equipo de protección.

Use solamente repuestos y accesorios autorizados por Shindaiwa en su podadora Shindaiwa. No haga modificaciones a la unidad sin la aprobación escrita de Shindaiwa Inc.

SIEMPRE cerciórese de que el accesorio de corte esté propiamente instalado y firmemente apretado antes de usar.

NUNCA use un accesorio de corte rajado o doblado, reemplácelo con uno útil.

SIEMPRE cerciórese de que el cabezal encaje propiamente dentro del soporte. Si un cabezal propiamente instalado vibra, reemplácelo por uno nuevo y pruebe.

SIEMPRE pare el motor inmediatamente y revise en busca de daños si golpea un objeto extraño o si la unidad se enreda. No opere con equipo dañado o quebrado.

NUNCA permita que el motor funcione a altas revoluciones sin carga. De lo contrario, podría dañar el motor.

NUNCA use la máquina con sujetadores o soportes de accesorios desgastados o dañados.



¡ADVERTENCIA!

El protector del accesorio de corte o equipo de protección no garantiza protección contra rebotes. USTED SIEMPRE DEBE PROTEGERSE DE DESPOJOS VOLANTES!

Operación

Correa de Hombro



¡ADVERTENCIA!

Siempre use un arnés cuando opera esta unidad con un disco. El usar un arnés le con la desmalezadora le permite mantener el control necesario de la unidad y también reduce la fatiga durante largas horas de operación.

1. Enganche la correa para conectar el soporte en el exterior del tubo.
2. Use la correa del hombro para que el gancho se queda en su mano derecha.
3. Ajustar la longitud de la correa del hombro para que pueda poseer y operar la máquina con comodidad.

¡IMPORTANTE!

Ajuste la correa de hombro o arnés de tal forma que la almohadilla descansa cómodamente sobre los lados de los hombros y que la trayectoria de corte del accesorio de corte esté paralelo al suelo. Asegure que todo los ganchos y dispositivos de ajuste estén asegurados.

NOTA:

El uso de un hombro durante el funcionamiento de esta unidad con una hoja le permite mantener un control adecuado de la unidad y reduce la fatiga durante la operación ampliada.



Corte de Césped – Máquinas Equipadas con Cabezal de Corte

Su unidad Shindaiwa pueda que esté equipada con uno de varios modelos de cabezales de corte de Shindaiwa, cada uno con características para aplicaciones específicas y/o requisitos operacionales.

NOTA:

Para la operación adecuada, consulte siempre las instrucciones incluídas en el cabezal de corte.

Modelos de cabezales de corte:

Semi-Automático: La línea de corte es indexada cuando el operario toca el suelo con el cabezal de corte durante el uso.

Manual: El operario mide manualmente la línea con la recortadora de césped completamente detenida.

Fijo: El operario debe apagar el motor y añadir manualmente nuevos largos de línea de corte.

Cuchilla Flotante: Este dispositivo, diseñado para cortar mala hierba o maleza ligera, incluye tres cuchillas de nylon atornilladas al cabezal a través de pivotes.

NOTE:

Herramientas adicionales pueden ser requeridas para montar los cabezales de Línea Fija o de cuchillas flotantes.

Velocidades de Operación del Motor

Opere la máquina a aceleración máxima cuando corte césped.

¡PRECAUCIÓN!

Operación a bajas revoluciones por minuto puede conducir a la falla prematura del embrague.

Recorte y Podado de Césped

Sostenga la podadora de tal forma que el cabezal esté en ángulo al área de corte. Para obtener máxima vida útil del cable de nylon, corte solamente con la punta del cable. Corte césped moviendo el cabezal de izquierda a derecha. Mantenga el cabezal horizontalmente.

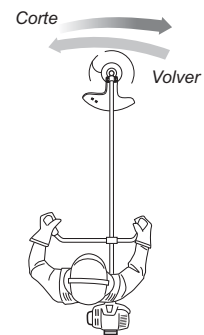
¡PRECAUCIÓN!

No presione el cable de nylon contra árboles, cercas de alambre o cualquier otro material que pueda atascar o romper el cable.

¡PRECAUCIÓN!

Utilice sólo flexibles, no metálicos línea recomendada por el fabricante. No utilice nunca, por ejemplo, alambre o cuerda de alambre, que puede romper y convertirse en un peligroso proyectil.

Corte de izquierda a derecha



¡PRECAUCIÓN!

- La operación de la podadora sin la unidad protectora de corte o usar una línea de corte muy larga puede causar la falla prematura del embrague..
- Operación a bajas revoluciones puede conducir a la falla prematura del embrague.



¡ADVERTENCIA!

Quite todos los objetos como piedras, vidrios rotos, clavos, alambres, o cadena, que puede ser lanzado o se enreda en la accesorio de corte.

Bordes

Incline el mango más o menos a 100° hacia la izquierda (desde la posición horizontal) y avance hacia adelante, sosteniendo la podadora verticalmente como se demuestra en la ilustración.

Incline el mango más o menos a 100° hacia la izquierda



Operación (continuación) Usando un Disco



¡ADVERTENCIA!

- Antes de trabajar con una unidad equipada con un disco, siempre inspeccione y limpie los objetos en el área que puedan interferir o dañar el disco.
- NUNCA use un disco cerca de veredas, cercas, edificios u otros objetos que puedan causar lesiones o daños.
- NUNCA use un disco para ningún otro propósito aparte del cual ha sido diseñado.

- Cuando golpee un objeto sólido con un disco, siempre pare el motor y cuidadosamente inspeccione el disco en busca de daños. NUNCA OPERE LA DESMALEZADORA CON UN DISCO DAÑADO !
- Una unidad equipada con un disco debe estar equipada con un mango tipo bicicleta, así también como con un árnes o correa.
- SIEMPRE cerciore que el protector del accesorio de corte esté propiamente instalado antes de operar la unidad.

Rebote de disco

El rebote de disco es un movimiento repentino de lado a lado o hacia atrás de la desmalezadora. Tal movimiento puede ocurrir cuando el disco se enreda o coje un objeto tal como ramas o troncos de árbol. ESTE CONSTANTEMENTE ALERTA DEL REBOTE DE DISCO Y PROTEJASE CONTRA SUS EFECTOS !



¡ADVERTENCIA!

Rebote de disco es más probable que ocurra en las zonas donde es difícil ver el material que se corte.



¡ADVERTENCIA!

Hoja de empuje puede ocurrir sin previo aviso, si la hoja inconvenientes, puestos de venta o se une.

Mango tipo bicicleta para desmalezadora

El mango tipo bicicleta para desmalezadora ayuda a prevenir que el operario se mueva hacia adelante o que la unidad se mueva hacia atrás, impidiendo así el contacto del cuerpo con el accesorio de corte. SIEMPRE MANTENGA EL MANGO ASEGU-RADO EN SU SITIO EN LA UNIDAD !

Correa de hombro para desmalezadora

La correa de hombro ofrece protección adicional contra los rebotes de la cuchilla. Adicionalmente, brinda un gran soporte y comodidad para una operación segura y eficiente. Cuando use una unidad con cuchilla, cerciorese que el mango y la correa de hombro estén ajustados a la talla del operador que usa la unidad.

Velocidades de operación del motor

Opere el motor a máxima potencia mientras corte. Para mayor eficiencia de combustible, suelte el acelerador cuando voltee de regreso después de un corte.

- Para evitar posibles daños al motor, no permita que la desmalezadora funcione a altas velocidades sin carga.
- Evite operar el accesorio a velocidades bajas. De lo contrario, puede conducir a un desgaste rápido del embrague. Adicionalmente, la operación a baja velocidad tiende a hacer que el cabezal de corte se enrede con césped y despojos.

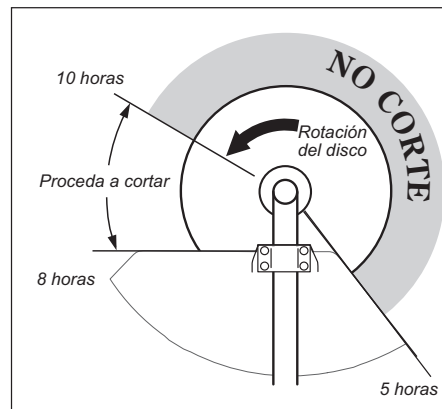
Usando un Disco

El disco gira en dirección contraria a las agujas del reloj. Para máximo rendimiento, mueva el disco de derecha a izquierda mientras avanza en su trabajo. Ubique el disco de tal manera que los cortes se realicen entre las 8 horas y las 10 horas. (agujas de un reloj). NO CORTE entre las 10 horas y 5 horas.



¡ADVERTENCIA!

Cuando corte madera con un disco, presione el disco lentamente. Nunca golpee o choque un disco en rotación contra la madera.



Cortes verticales

Sostenga la desmalezadora con el disco a un ángulo de 90 grados con respecto al suelo, de forma que el borde inferior del disco gire hacia el operario. Mueva el disco de arriba para abajo a través del corte, y corte solamente con el borde inferior del disco.



¡ADVERTENCIA!

Al efectuar cortes verticales, nunca permita que el disco sobrepase la altura de su cintura.



Mantenimiento

Mantenimiento General

IMPORTANT!

EL MANTENIMIENTO, REEMPLAZO O REPARACION DE LOS SISTEMAS Y DISPOSITIVOS DE CONTROL DE EMISION PUEDEN SER EFECTUADOS POR CUALQUIER ESTABLECIMIENTO O INDIVIDUO; SIN EMBARGO, LAS REPARACIONES DE GARANTIA DEBEN SER EFECTUADAS POR SU CENTRO DE SERVICIO O DISTRIBUIDOR AUTORIZADO POR CORPORACIÓN DE SHINDAIWA. EL USO DE PARTES QUE NO SON EQUIVALENTES EN RENDIMIENTO Y DURABILIDAD A LAS PARTES AUTORIZADAS PUEDEN AFECTAR LA EFECTIVIDAD DE SU SISTEMA DE CONTROL DE EMISION Y PUEDE INFLUENCIAR EL RESULTADO DE SU RECLAMO DE GARANTIA.



¡ADVERTENCIA!

Los repuestos no estándar pueden que no operen propiamente con su máquina y pueden causar daño y conducir a una lesión personal.

NOTA:

El usar repuestos no estandarizados puede invalidar su garantía Shindaiwa.



¡ADVERTENCIA!

Antes de efectuar mantenimiento, reparación o limpieza de la máquina, cerciórese de que el motor y el accesorio de corte estén completamente detenidos. Desconecte el cable de bujía antes de efectuar servicio de mantenimiento.

Silenciador

Esta máquina nunca debe ser operada con un guardachispas o silenciador defectuoso o faltante. Cerciórese de que el silenciador esté bien asegurado y en buena condición. Un silenciador usado o dañado es un riesgo de incendio y puede causar la pérdida de audición.

Bujía

Mantenga la bujía y las conexiones de cable apretadas y limpias.

Sujetadores

Cerciórese de que las tuercas, pernos y tornillos (a excepción de los tornillos de ajuste del carburador) estén apretados.

Cuchillas

Mantenga los discos afilados y revise la condición del disco frecuentemente. Si el rendimiento de un disco cambia repentinamente, pare el motor y revise el disco en busca de rajaduras u otro daño. Reemplace el disco dañado INMEDIATAMENTE!



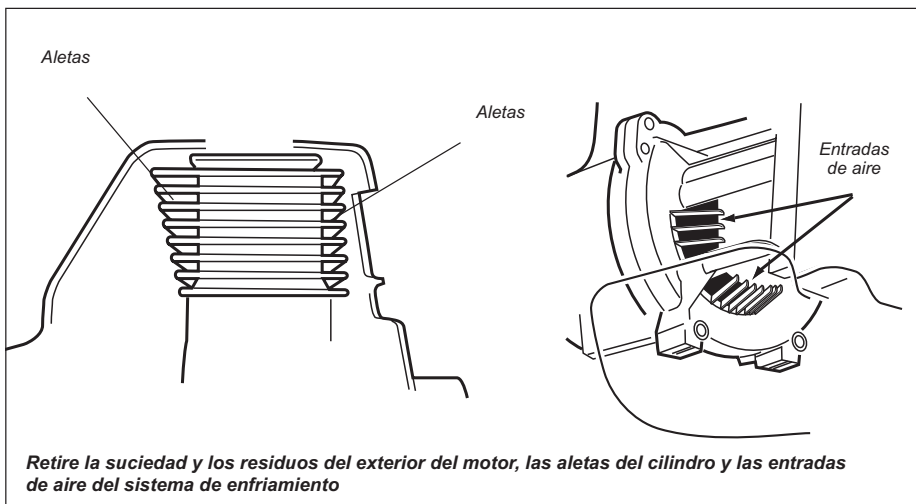
WARNING!

- Nunca repare un disco dañado soldándolo, enderezándolo o modificando su forma. Una vez alterado, podría quebrarse en plena operación y ocasionar lesiones personales serias.
- No use cuchillas de dos puntas. Ni de cuatro puntas que no sean aprobadas para las desmalezadoras Shindaiwa.
- Los discos de corte no son intercambiables entre las bordeadoras o desmalezadoras. El uso de cualquiera unidad con discos o accesorios no aprobados para la respectiva unidad pueden ser peligrosos y ocasionar lesiones graves.

Mantenimiento Diario

Antes de cada día de trabajo, efectúe lo siguiente:

- Retire la suciedad y los residuos del exterior del motor, las aletas del cilindro y las entradas de aire del sistema de enfriamiento.
- Limpie toda la suciedad y los residuos del accesorio del corte.
- Inspeccione la sierra para detectar pérdidas de combustible o aceite.
- Revise que no falten tornillos y que no estén flojos. Cerciórese de que el accesorio de corte esté firmemente asegurado.
- Cerciórese de que las tuercas, pernos y tornillos (a excepción de los tornillos de ajuste del carburador) estén apretados.
- Cuidadosamente, retire cualquier acumulación de suciedad o despojo del silenciador y del tanque de combustible. La acumulación de suciedad



en dichas áreas puede ocasionar el sobrecalentamiento del motor, inducir el gasto prematuro o crear un riesgo de incendio.

Mantenimiento (continuación)

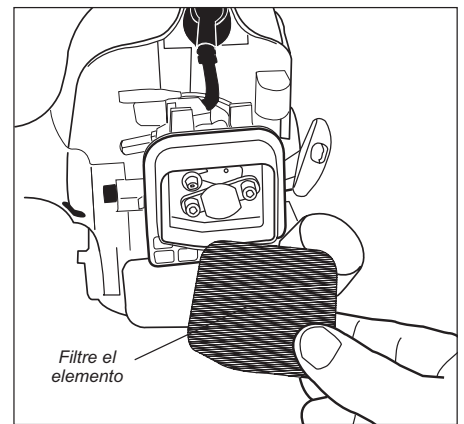
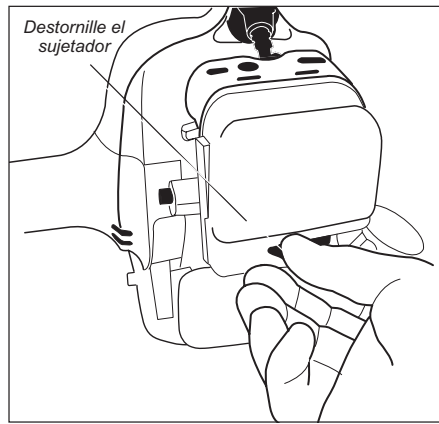
Mantenimiento Cada 10 Horas

Más frecuentemente bajo condiciones sucias o polvorientas:

Retire el elemento del filtro de aire. Limpie o reemplace como sea necesario. Para lavar el elemento: Lávelo meticulosamente con agua y jabón. Deje que seque antes de reinstalarlo.

¡PRECAUCIÓN!

No opere esta máquina si el filtro de aire está sucio, dañado o si está húmedo.



Español

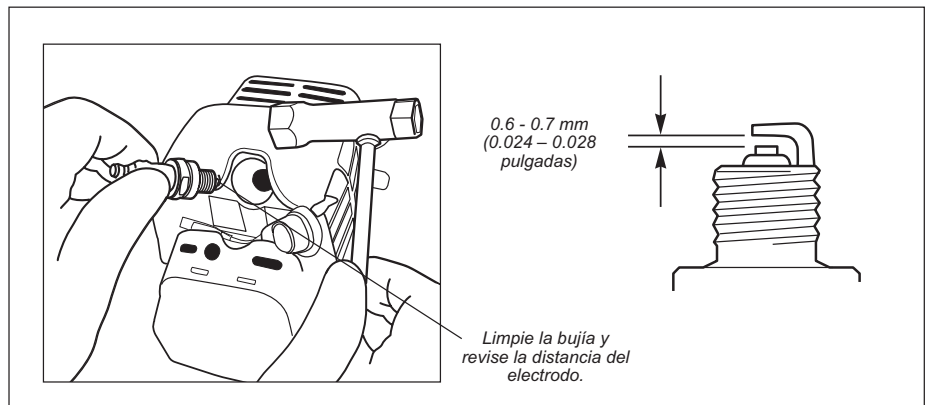
Mantenimiento Cada 10/15 Horas

Retire y limpie la bujía.

Limpie y vuelva a calibrar la bujía. Consulte la sección "Especificaciones" para la correcta separación del electrodo de la bujía.

¡PRECAUCIÓN!

Antes de retirar la bujía, limpie alrededor de la misma para evitar que entre polvo o suciedad a las partes internas del motor.



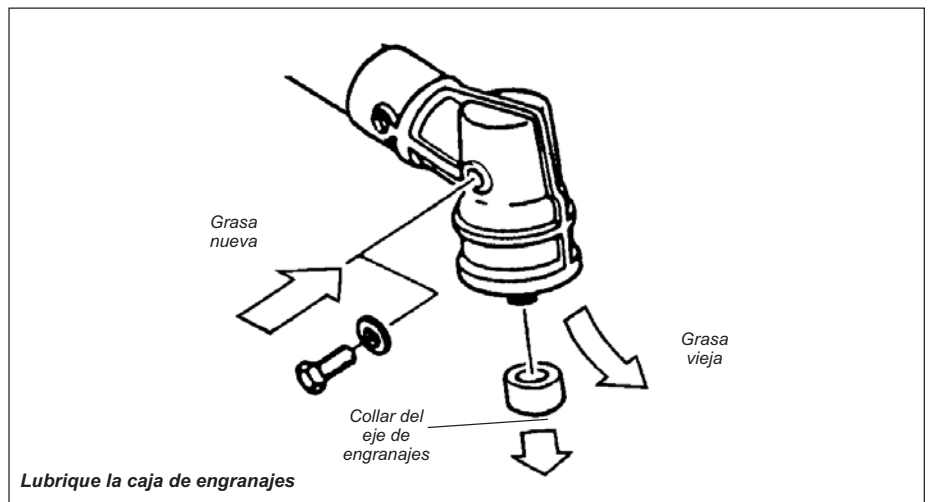
Mantenimiento Cada 50 Horas

Every 50 hours of operation; more frequently in dusty conditions:

- Remove and clean the cylinder cover and clean dirt and debris from the cylinder cooling fins.

Gearcase lubrication

- Remove and clean the cylinder cover and clean grass and dirt from the cylinder fins.
- Remove the cutting attachment, cutting attachment holder and gearshaft collar. Remove the filler plug from the side of the gearcase and press new grease into the gearcase until old grease is pushed out. Use only lithium-base grease such as Shindaiwa Gearcase Lubricant or equivalent.
- Lubricate mainshaft splines.



Mantenimiento (continuación)

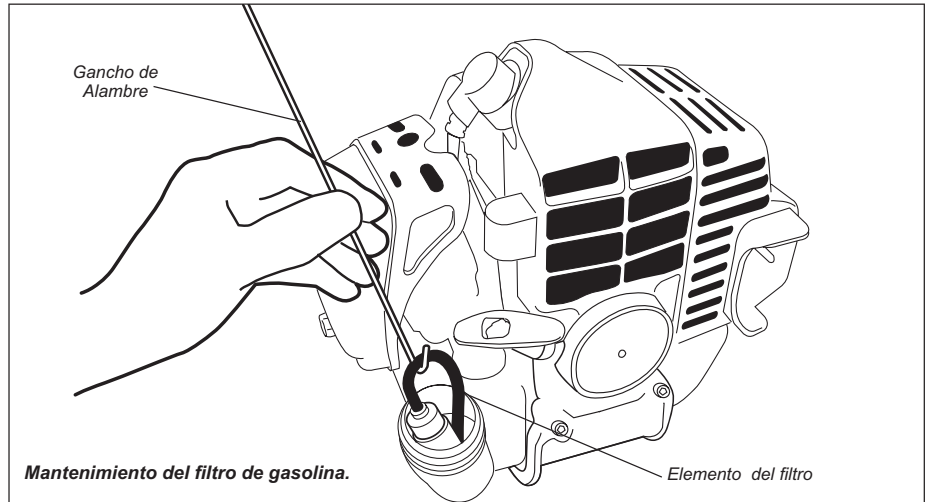
Mantenimiento cada 50 horas

Retire y reemplace el elemento del filtro.

Antes de reinstalar el filtro, inspeccione la condición de todo los componentes del sistema de combustible (manguera de alimentación, manguera del ventilador, ventilador, tapa y tanque). Si descubre daños, quebraduras o deteriorización, retire la unidad de operación hasta que pueda ser inspeccionada o reparada por un técnico de servicio entrenado por Shindaiwa.

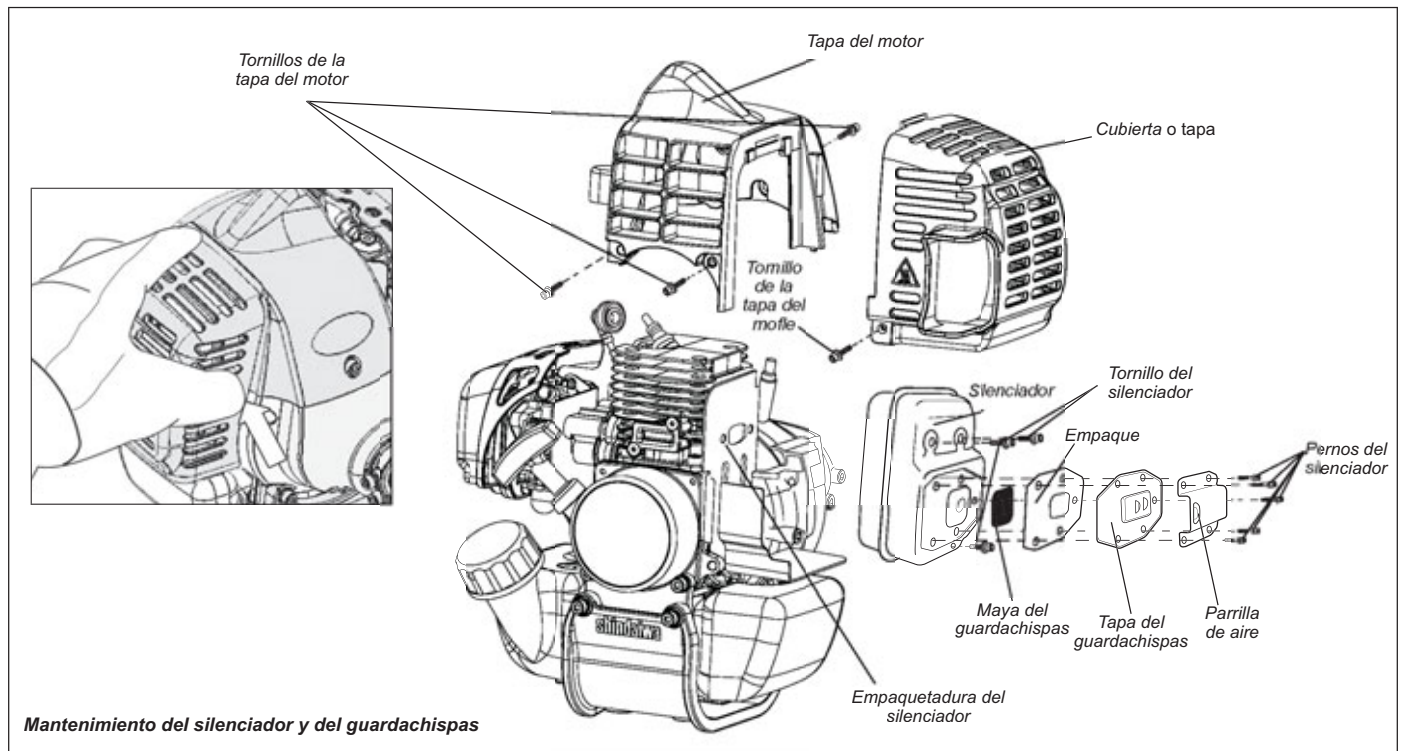
¡PRECAUCIÓN!

Asegure de no perforar la tubería de combustible con la punta del gancho de alambre, pues esta línea es delicada y se puede dañar fácilmente.



Mantenimiento del filtro de gasolina.

Mantenimiento del silenciador



Mantenimiento del silenciador y del guardachispas

Cada 135 horas de funcionamiento, extraiga y limpie el silenciador.



ADVERTENCIA

Nunca utilice esta unidad sin silenciador ni guardachispas, ni con uno de ellos dañado. La utilización de esta unidad sin guardachispas o con éste dañado puede provocar un incendio y dañar sus oídos.

Si el motor se comporta irregularmente y le falta potencia, compruebe y limpie la pantalla del guardachispas.

1. Retire el capuchón de la bujía.
2. Con una llave allen de 4 mm, desenrosque el tornillo de la cubierta del silenciador y los tres tornillos de la cubierta del motor. La tapa del silenciador está fijada a la cubierta del motor en la parte superior y frontal por medio de lengüetas. Para quitarla, presione hacia dentro la zona indicada con la flecha al tiempo que tira hacia fuera. Ver la imagen.
3. Con un destornillador tipo Phillips, desenrosque los 5 tornillos de la pantalla del guardachispas y de la cubierta del silenciador
4. Extraiga la pantalla y límpiela con un cepillo de cerdas duras.
5. Extraiga los 3 pernos del silenciador y el silenciador.
6. Inspeccione la tobera de escape del cilindro para evitar la acumulación de carbonilla.
7. Coloque con cuidado el silenciador en una superficie de madera para sacar la carbonilla desprendida.
8. Vuelva a montar el guardachispas, el silenciador y la cubierta del motor en el orden contrario al del desmontaje.

IMPORTANTE

Si aprecia una acumulación excesiva de carbonilla, consulte a su agente de servicio Shindaiwa autorizado.

Afilado de Discos



¡ADVERTENCIA!

Utilice guantes protectores para manipular la cuchilla o efectuar su mantenimiento.

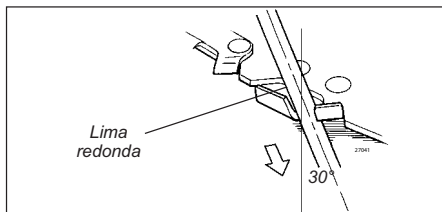
Cuando los bordes de la cuchilla pierdan su filo, pueden ser afilados rápidamente con una lima.

Para mantener la cuchilla balanceada, todos los bordes deben ser afilados uniformemente.



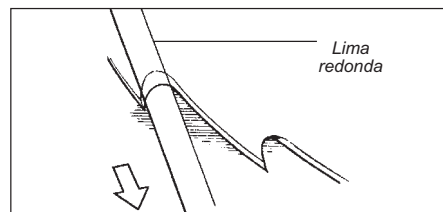
¡ADVERTENCIA!

Afile solamente los dientes de cortar. NO altere de ninguna forma el contorno del disco.



Disco Shindaiwa Tornado™

Para afilar los dientes de corte de un disco shindaiwa Tornado™, use una lima redonda de 7/32 pulgadas. Afile el borde líder de cada diente hasta obtener un filo similar al de una hoja de afeitar. La superficie superior de cada diente debe tener una inclinación de 30 grados.



Discos de dientes múltiples


Use una lima redonda para mantener un radio de 1 a 1.5mm (0.04 a 0.06 pulgadas) en la base de cada diente. Los dientes deben quedar igualmente descentrados por cada lado.

Almacenamiento de Largo Plazo

Cada vez que la máquina no va a ser usada por 30 días o más, siga los siguientes procedimientos para preparar su almacenamiento:

- Limpie las partes externas y aplique una capa ligera de aceite a todas las superficies metálicas.

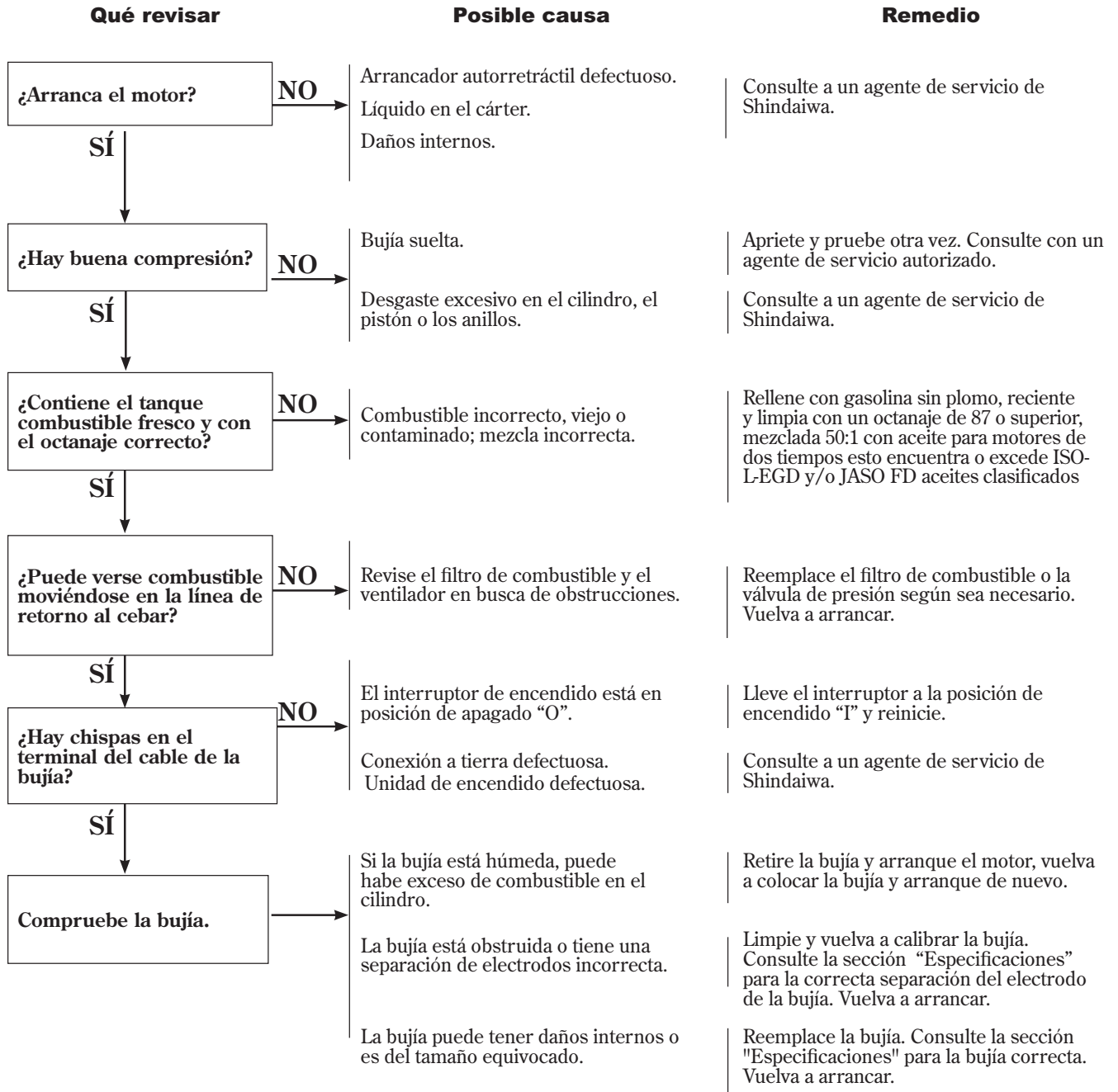
¡IMPORTANTE!

Todo combustible almacenado debe estar estabilizado con un estabilizador de combustible tal como STA-BIL™, 1 menos que use aceite  con estabilizador de combustible.

¡PRECAUCIÓN!

Gasolina almacenada en el carburador por períodos largos puede causar un arranque duro y puede conducir a un aumento en costo de servicio y mantenimiento.

- Drene todo combustible en el tanque.
- Retire el resto del combustible en las tuberías de combustible y carburador.
 1. Empuje la bombilla de cebado hasta que el combustible deje de pasar.
 2. Arranque y mantenga prendido el motor hasta que pare de funcionar.
 3. Repita los pasos 1 y 2 hasta que el motor ya no arranque
- Retire la bujía y vierta aproximadamente 7 mL (1/4 de onza) de aceite de mezcla para motores de 2 tiempos en el cilindro a través del agujero de la bujía. Lentamente jale el arrancador 2 ó 3 veces para que el aceite se aplique uniformemente en el interior del motor. Reinstale la bujía.
- Antes de almacenar la máquina, repare o cambie cualquier pieza dañada o gastada.
- Retire el elemento del filtro de aire y límpielo minuciosamente con agua y jabón. Deje que seque y vuelva a ensamblar el elemento.
- Almacene la máquina en un sitio limpio y libre de polvo.



Qué revisar	Posible causa	Remedio
<p>¿Se sobrecalienta el motor?</p>	<p>Unidad sobrecargada por el usuario.</p> <p>La mezcla del carburador es muy pobre.</p> <p>Proporción de combustible inapropiada.</p> <p>Ventilador, tapa del ventilador o aletas del cilindro sucios o dañados.</p> <p>Depósitos de carbonilla en el pistón o el silenciador.</p>	<p>Corte más despacio.</p> <p>Consulte con un agente de servicio autorizado.</p> <p>Rellene con gasolina sin plomo, reciente y limpia con un octanaje de 87 o superior, mezcla 50:1 con aceite para motores de dos tiempos esto encuentra o excede ISO-L-EGD y/o JASO FD aceites clasificados</p> <p>Limpiar, reparar o sustituir en caso necesario.</p> <p>Consulte con un agente de servicio autorizado.</p>
<p>El motor funciona bruscamente a cualquier velocidad. También puede que salga humo negro o combustible no quemado por el escape.</p>	<p>Filtro de aire obstruido.</p> <p>Bujía suelta o dañada.</p> <p>Fuga de aire o conducto de combustible obstruido.</p> <p>Agua en el combustible.</p> <p>Pistón gripado.</p> <p>Carburador y/o diafragma defectuoso.</p>	<p>Limpie o reemplace el filtro de aire.</p> <p>Apriete o cambie la bujía. Consulte la sección "Especificaciones" para la bujía correcta. Vuelva a arrancar.</p> <p>Repare o cambie el filtro o el conducto de combustible.</p> <p>Vuelva a llenar de mezcla reciente de combustible y aceite.</p> <p>Consulte con un agente de servicio autorizado</p>
<p>El motor golpea.</p>	<p>Sobrecalentamiento.</p> <p>Combustible inadecuado.</p> <p>Depósitos de carbonilla en la cámara de combustión.</p>	<p>Consulte con un agente de servicio autorizado</p> <p>Revise el índice de octanaje del combustible; revise si el combustible contiene alcohol. Reposte cuando sea necesario.</p> <p>Consulte con un agente de servicio autorizado.</p>

OTROS PROBLEMAS

Español

Qué revisar	Posible causa	Remedio
Deficiente aceleración.	Filtro de aire obstruido. Filtro de combustible obstruido. Mezcla de combustible/aire muy pobre. Ralentí ajustado muy bajo.	Limpie o reemplace el filtro de aire. Cambie el filtro de combustible. Consulte con un agente de servicio autorizado. Consulte la sección “Especificaciones” para el régimen de giro al ralentí .
El motor se detiene abruptamente.	Interruptor en posición de apagado. Tanque de combustible vacío. Filtro de combustible obstruido. Agua en el combustible. Bujía defectuosa o terminal flojo. Fallo en el sistema de encendido. Pistón gripado	Restablezca el interruptor y vuelva a arrancar. Reposte combustible. Consulte la sección "Llenando el Tanque de Combustible". Cambie el filtro de combustible. Drene; cambie con combustible limpio. Consulte la sección "Llenando el Tanque de Combustible". Limpie o reemplace la bujía. Consulte la sección "Especificaciones" para la bujía correcta. Apriete el terminal. . Reemplace el sistema de encendido. Consulte con un agente de servicio autorizado.
Difícil apagado del motor.	Cable de conexión a tierra (detenido) desconectado o llave defectuosa. Sobrecalentamiento debido a bujía incorrecta. Motor sobrecalentado.	Pruebe y reemplace según sea necesario. Reemplace la bujía. Consulte la sección “Especificaciones” para la bujía correcta . Deje el motor al ralentí hasta que se enfríe.
El accesorio de corte se mueve al ralentí del motor.	Ralentí demasiado alto. Resorte del embrague roto o resalte desgastado.	Consulte la sección “Especificaciones” para el régimen de giro al ralentí . Reemplace muelle/zapatillas según sea necesario; compruebe el ralentí.
Excesiva vibración.	Soporte del accesorio suelto. Accesorio torcido o dañado. Caja de engranajes suelta. Eje central doblado, cojinetes desgastados o dañados.	Inspeccione y vuelva a apretar los soportes con firmeza. Examine y cambie el accesorio según sea necesario. Apriete la caja de engranajes con firmeza. Examine y cambie según sea necesario.
El motor no volverá para funcionar en ralentí.	El ralentí del motor es demasiado alto El motor tiene una fuga de aire	Consulte la sección “Especificaciones” para el régimen de giro al ralentí . Consulte con un agente de servicio autorizado.
El accesorio no se mueve.	Eje no instalado en el bloque motor o la caja de engranajes. Eje roto. Caja de engranajes dañada. La hilo de nilón es enrollada incorrectamente sobre el carrete.	Examine y vuelva a instalar según sea necesario. Consulte con un agente de servicio autorizado. Rebobine la hilo de nilón.

Declaración de Garantía del Sistema de Emisión

Sus Derechos y Obligaciones de Garantía

La Junta de Recursos de Aire de California, La Agencia de Protección del Ambiente Estadounidense y la Corporación Shindaiwa se complacen en explicar la garantía del sistema de control del escape y evaporación de emisiones de su nuevo motor pequeño (no para el uso en automóviles).

En California, los motores pequeños (no para el uso en automóviles) están diseñados, contruidos y equipados para cumplir con las normas exigentes de anti-contaminantes del Estado de California. En otros estados, los motores nuevos (no para el uso en automóviles) de 1997 para adelante deben cumplir las normas federales exigentes de la EPA de anti-contaminantes. La Corporación Shindaiwa debe garantizar el sistema de control de emisión de su motor pequeño (no para el uso en automóviles) durante los períodos mencionados abajo, asumiendo que no haya habido abuso, negligencia o mantenimiento impropio en su motor pequeño (no para el uso en automóviles).

Su sistema de control de escape y evaporación de emisiones incluye partes, tal como el carburador, tanque de combustible, el sistema de encendido, y, si está equipado, el convertidor catalítico. Estos componentes están mencionados específicamente abajo.

Cuando exista una condición bajo garantía, la Corporación Shindaiwa reparará su pequeño motor (no para el uso en automóviles) sin costo alguno para usted incluyendo el diagnóstico, repuestos y mano de obra.

Cobertura de la Garantía del Fabricante

Cuando sea vendido en los Estados Unidos, el sistema de control de emisión de este motor está garantizado por un periodo de dos (2) años desde la fecha en que el producto es entregado por primera vez al comprador minorista original.

Durante el periodo de la garantía, la Corporación Shindaiwa reparará o cambiará, a su discreción, cualquier componente defectuoso relacionado con el sistema de emisión del motor. Durante el periodo original de la garantía, estos derechos de garantía son automáticamente transferibles a propietarios subsiguientes de este producto.

Que Está Cubierto Por Esta Garantía

1. Los componentes internos del carburador.
 - La válvula de aceleración, la aguja, pistón, diafragma medidor.
2. Tanque de combustible
3. Los componentes del sistema de encendido.
 - Rosca del arrancador.
 - Rotor del volante.
4. Convertidor catalítico (si está originalmente equipado).

El sistema de control de emisión de su motor Shindaiwa puede también incluir ciertas mangueras y conexiones particulares.

Responsabilidades de Garantía del Propietario

Como propietario del motor pequeño (no para el uso en automóviles), es usted responsable por el rendimiento del mantenimiento requerido y mencionado en este manual del propietario. La Corporación Shindaiwa recomienda que guarde todo los recibos que demuestren el mantenimiento de su motor pequeño (no para el uso en automóviles), pero la Corporación Shindaiwa no puede negar la garantía solamente por la falta de recibos o por no llevar a cabo los mantenimientos programados.

Como propietario del motor pequeño (no para el uso en automóviles), debe saber que la Corporación Shindaiwa puede negarle la cobertura de garantía si su motor o sus partes han fallado debido a abuso, negligencia, mantenimiento impropio, o modificaciones no autorizadas.

Usted es responsable de presentar su pequeño motor (no para el uso en automóviles) a un centro de servicio Shindaiwa autorizado tan pronto como se presente un problema. Las reparaciones bajo garantía deben ser completadas en un tiempo razonable que no exceda 30 días.

Si tiene alguna pregunta con respecto a sus derechos y responsabilidades de garantía, usted debe contactar a un representante del servicio al cliente de Shindaiwa al (503) 692-3070 o a su centro local de servicio Shindaiwa.

Daños Consiguientes

En el evento de que alguna otra parte de los componentes de este producto estén dañados debido a la falla de alguna parte bajo la garantía, la Corporación Shindaiwa, reparará o cambiará tales partes sin costo alguno para usted.

Que No Está Cubierto

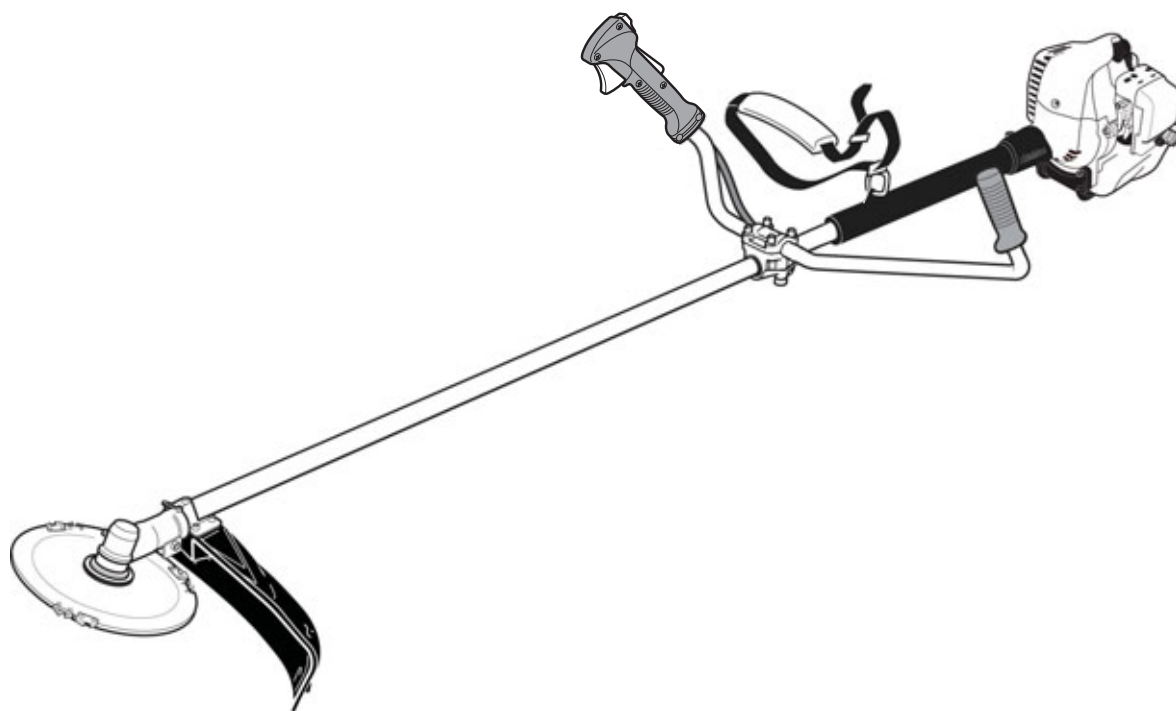
- Fallas causadas por abuso, negligencia, o mantenimiento impropio.
- Fallas causadas por el uso de piezas o accesorios modificados o no autorizados.

Esta garantía es administrada por:

Shindaiwa Inc.
11975 SW Herman Rd
Tualatin, OR 97062
Teléfono: 503 692 3070

MANUEL D'UTILISATION SHINDAIWA

DÉBROUSSAILLEUSE C242/EVC



AVERTISSEMENT !

Limiter tout risque de blessures, sur soi-même ou sur les autres ! Lire le présent manuel et se familiariser avec son contenu. Toujours porter un dispositif de protection pour les yeux et les oreilles pendant l'utilisation de l'appareil.

shindaiwa[®]

Numéro de référence 89302 Rév .6/09

Introduction

La série d'équipement motorisé à main Shindaiwa 242 a été conçue et fabriquée dans le but d'offrir une performance et une fiabilité supérieures sans compromettre la qualité, le confort, la sécurité ou la durabilité. Les moteurs Shindaiwa sont à la fine pointe de la technologie des moteurs performants et offrent un rendement exceptionnel, avec une cylindrée remarquablement basse et une conception des plus légères. Comme propriétaire ou utilisateur, vous comprendrez vite pourquoi Shindaiwa est tout simplement une classe en soi !

IMPORTANT!

Les renseignements contenus dans le présent manuel d'utilisation décrivent les appareils disponibles au moment de la fabrication.

Shindaiwa Inc. se réserve le droit d'apporter des modifications au produit sans préavis et se dégage de toute obligation d'apporter des modifications aux appareils déjà fabriqués.



AVERTISSEMENT !

Les gaz d'échappement du moteur de cet appareil contiennent des produits chimiques reconnus, dans l'état de Californie, comme susceptibles de provoquer le cancer, des anomalies congénitales et d'autres troubles de la reproduction.

Table des matières

	PAGE		PAGE		PAGE
Sécurité	FR_3	Remplissage du réservoir à carburant	FR_9	Fonctionnement	FR_12
Nomenclature	FR_5	Démarrage du moteur	FR_10	Entretien	FR_14
Caractéristiques techniques.....	FR_5	Arrêt du moteur	FR_11	Remisage à long terme	FR_17
Assemblage.....	FR_6	Réglage du ralenti du moteur	FR_11	Guide de dépannage	FR_18
Mélange de carburant.....	FR_9			Déclaration de garantie	FR_21

IMPORTANT!

Les procédures d'utilisation décrites dans ce manuel visent à vous aider à tirer le maximum de votre appareil et à vous protéger (vous-mêmes et les autres) contre les blessures. Ces procédures constituent uniquement des consignes de sécurité couvrant la plupart des conditions d'utilisation, et ne remplacent en aucun cas les autres mesures de sécurité et lois en vigueur dans votre région. Pour toute question sur votre équipement motorisé à main Shindaiwa ou pour toute clarification sur les renseignements contenus dans le présent manuel, votre vendeur Shindaiwa se fera un plaisir de vous aider. Pour toute information complémentaire, vous pouvez également contacter Shindaiwa, Inc. à l'adresse imprimée au verso du manuel.

Mises en garde

Des « mises en garde » spéciales apparaissent tout au long du manuel.



DANGER !

Un énoncé précédé du symbole triangulaire et du mot « DANGER » indique une situation réellement dangereuse qui, si elle n'est pas évitée, entraînera certainement des blessures graves, voire mortelles !



AVERTISSEMENT !

Un énoncé précédé du symbole triangulaire de mise en garde et du mot « AVERTISSEMENT » contient des informations à prendre en compte pour éviter des blessures graves.

IMPORTANT !

Un énoncé précédé du mot « IMPORTANT » contient des informations d'une importance particulière.

MISE EN GARDE !

Un énoncé précédé de la mention « MISE EN GARDE » contient des informations à prendre en compte pour éviter d'endommager l'appareil.

REMARQUE :

Un énoncé précédé du mot « REMARQUE » contient des informations utiles pouvant faciliter votre travail.

Étiquettes informatives relatives au fonctionnement et à la sécurité



Lire et suivre les consignes de ce manuel d'utilisation. Dans le cas contraire pourraient s'ensuivre des blessures graves.



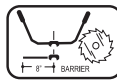
Attention aux objets projetés ou aux ricochets.



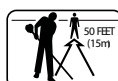
Si l'appareil est utilisé comme débroussailluse, attention au rebond. Le phénomène de coincement de la lame peut provoquer un mouvement soudain et une perte de contrôle de l'appareil.



Il est recommandé de porter des dispositifs de protection pour les yeux et pour les oreilles à tout moment pendant l'utilisation de l'appareil.



Ne pas utiliser cet appareil avec une lame sans que celui-ci ne soit équipé d'un guidon ou d'une barre de sécurité homologué(e) par Shindaiwa.



Tenir les observateurs à 15 mètres au moins de l'aire d'utilisation de l'appareil



Toujours porter un harnais lors de l'utilisation d'un appareil équipé d'une lame. Un harnais est également recommandé lors de l'utilisation d'un fil de coupe.

Sécurité

Sécurité au travail

Les coupe-bordure Shindaiwa fonctionnent à très haute vitesse et peuvent causer de sérieux dommages et de sérieuses blessures s'ils sont mal utilisés ou si on en fait un emploi abusif. Ne jamais laisser le coupe-bordure entre les mains d'une personne qui n'a pas lu le mode d'emploi !



AVERTISSEMENT !

Ne jamais installer d'accessoires non approuvés. Ne jamais utiliser des accessoires dont l'installation sur cet appareil n'est pas homologué par Shindaiwa.

Demeurer alerte

Vous devez être physiquement et mentalement alerte pour utiliser cet appareil en toute sécurité.



AVERTISSEMENT !



Ne jamais utiliser d'équipement motorisé si vous êtes fatigué, sous l'influence d'alcool, de drogues ou de toute autre substance qui pourrait nuire à votre concentration ou à votre jugement.



AVERTISSEMENT !

TOUJOURS inspecter l'appareil avant chaque utilisation. Remplacer toute pièce endommagée.

TOUJOURS porter un dispositif de protection pour les yeux afin de se protéger contre les objets projetés.

NE JAMAIS faire fonctionner le moteur lors du transport de l'appareil.

NE JAMAIS faire fonctionner le moteur à l'intérieur ! S'assurer qu'il y a toujours une bonne ventilation. Les gaz émanant du tuyau d'échappement peuvent causer des blessures graves, voire mortelles.

TOUJOURS dégager votre espace de travail de tout rebut ou débris dissimulé qui pourrait être projeté sur vous-même ou sur toute personne à proximité.

TOUJOURS utiliser des outils de coupe adéquats pour la tâche à accomplir.

TOUJOURS arrêter l'appareil s'il se met à vibrer ou s'il devient instable. Inspecter l'appareil pour détecter d'éventuels pièces ou accessoires brisés, mal installés ou manquants.

NE JAMAIS excéder la longueur du fil de coupe spécifiée pour votre appareil.

TOUJOURS tenir l'appareil aussi propre que possible. Enlever toute accumulation d'herbes, terre, etc.

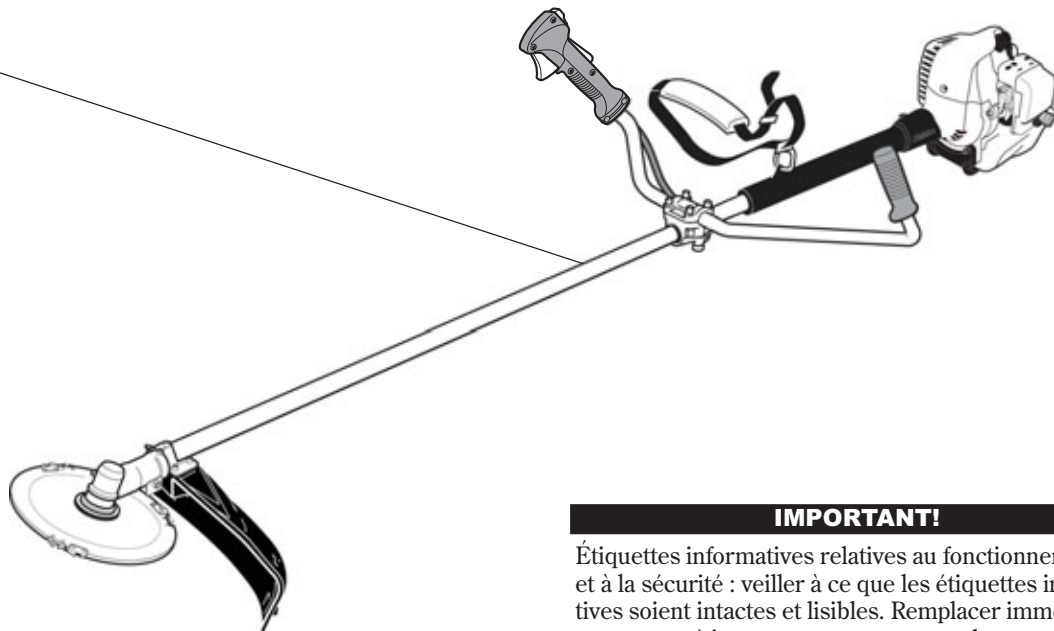
TOUJOURS tenir l'appareil fermement des deux mains pour couper ou émonder et garder le contrôle en tout temps.

TOUJOURS garder les poignées propres.

TOUJOURS débrancher le fil de bougie avant de faire des travaux d'entretien.

TOUJOURS arrêter l'appareil immédiatement si la lame se coince pendant la coupe. Pousser la branche ou l'arbre pour décoincer et dégager la lame.

Étiquettes de sécurité



IMPORTANT!

Étiquettes informatives relatives au fonctionnement et à la sécurité : veiller à ce que les étiquettes informatives soient intactes et lisibles. Remplacer immédiatement toute étiquette manquante ou endommagée. De nouvelles étiquettes sont disponibles auprès du représentant Shindaiwa autorisé local.

Sécurité (suite)

Équipement complet de l'utilisateur

Porter des dispositifs de protection pour les oreilles ainsi qu'un casque à grands bords ou un casque protecteur. Un casque est requis lors de l'utilisation d'une débroussailleuse munie d'une lame pour le nettoyage de petits arbres.

L'exposition prolongée au bruit excessif devient fatigante et peut provoquer une altération auditive.

Porter des vêtements ajustés pour protéger les jambes et les bras. Il est fortement recommandé de porter des gants car ils offrent une sécurité supplémentaire. Ne pas porter de vêtements ou de bijoux qui pourraient facilement se coincer dans l'appareil ou dans les broussailles. Attacher les cheveux au-dessus du niveau des épaules. NE JAMAIS porter de culottes courtes.!

L'exposition prolongée aux vibrations risque de causer des blessures aux mains.

Garder le pied ferme et ne pas s'étirer outre mesure. Garder l'équilibre en tout temps.

Porter des articles chaussant (bottes ou souliers antidérapants). Ne jamais porter des sandales ou des chaussures à bouts ouverts. Ne jamais travailler nu-pieds.



Toujours porter un dispositif de protection pour les yeux comme des lunettes de sécurité pour se protéger contre les objets projetés.

Toujours porter un harnais lors de l'utilisation de l'appareil avec une lame. Le harnais augmente le confort et contribue à assurer la sécurité en limitant le mouvement avant et arrière. Lorsque le harnais est ajusté adéquatement, l'appareil devrait être en équilibre avec l'accessoire tranchant parallèlement au sol.

Toujours garder les deux mains fermement agrippées sur l'appareil.

Lors de l'utilisation avec une lame, s'assurer que la poignée est positionnée de manière à offrir un maximum de protection contre le contact avec la lame. Toujours s'assurer que le guidon est installé conformément aux indications du fabricant.

Toujours s'assurer que le pare-débris approprié est installé correctement et qu'il est en bon état. Ne jamais utiliser l'appareil sans le pare-débris ou si le pare-débris est lâche ou brisé.

Rester à distance du fil de coupe ou de la lame en rotation, en tout temps. Ne jamais soulever au-dessus de la hauteur de la taille un outil de coupe en rotation.

Français

Tenir compte de l'environnement de travail

Éviter toute utilisation prolongée à température très chaude ou très froide.

Faire preuve d'une extrême prudence sur terrain glissant, en particulier par temps de pluie.

Tenir compte en permanence des objets et débris pouvant être projetés par l'accessoire de coupe en rotation ou pouvant rebondir sur une surface dure

En cas de contact avec un objet dur, arrêter le moteur et inspecter l'accessoire de coupe.



S'assurer que les observateurs gardent une distance d'au moins 15 mètres (50 pieds) de la zone dangereuse et qu'ils portent des lunettes de sécurité.

15 MÈTRES

Toujours s'assurer que le déflecteur de l'accessoire de coupe approprié est correctement installé.

Réduire le risque que les observateurs soient heurtés par des objets projetés. Garder toute personne à une distance d'au moins 15 mètres (50 pieds) – environ 16 pas – de l'outil de coupe. Toujours arrêter l'appareil si un enfant, un animal domestique ou une personne s'approche de l'appareil dans un rayon de 15 mètres (50 pieds). Il existe toujours un risque de blessure lié à la projection d'objets à l'extérieur de ce rayon.

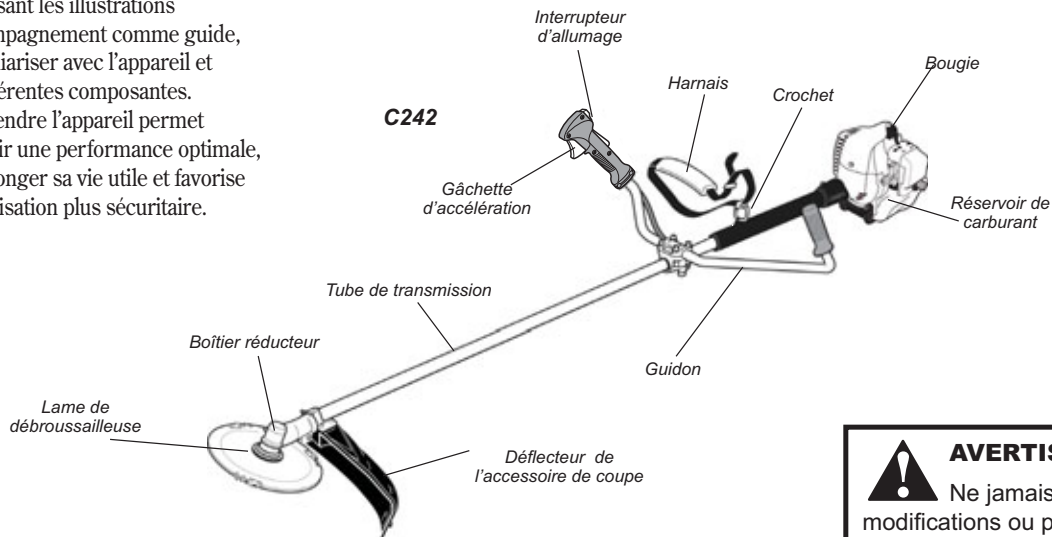
Ne jamais utiliser l'appareil sans le pare-débris ou si le pare-débris est lâche ou brisé.

Se méfier d'une lame ondulante pendant la taille ou le débroussaillage. Une lame ondulée peut blesser lorsqu'elle continue de tourner une fois le levier d'accélération relâché ou une fois le moteur arrêté.

Toujours nettoyer le lieu de travail; enlever tout débris ou déchet qui pourrait être projeté dans votre direction ou celle d'un observateur. Lors de l'utilisation sur un terrain rocailleux ou à proximité de fils électriques ou de clôtures, s'assurer que ces éléments n'entrent pas en contact avec l'outil de coupe.

Nomenclature

En utilisant les illustrations d'accompagnement comme guide, se familiariser avec l'appareil et ses différentes composantes. Comprendre l'appareil permet d'obtenir une performance optimale, de prolonger sa vie utile et favorise une utilisation plus sécuritaire.



AVERTISSEMENT !
Ne jamais effectuer des modifications ou poser des accessoires non approuvés.

Caractéristiques techniques

Modèle du moteur	SF242E
Type de moteur	2-temps catalyseur
Alésage x course	33 x 28 mm / 1,3 x 1,1 in.
Cylindrée	23,9cc/1.5 cu. in.
Régime moteur maximal	1,0 HP/0,8 kW @ 8 000 min ⁻¹ (rpm)
Vitesse du ralenti (recommandée)	3 000 (±250) min ⁻¹
Rapport essence/huile	50:1 avec de l'huile pour moteur à deux temps de catégorie ISO-L-EGD ou JASO FC
Carburateur	Walbro WYL, à diaphragme
Capacité du réservoir à carburant	670 ml / 22,3 oz.
Allumage	entièrement électronique, programmé
Bougie**	NGK BPMR6A
Écart d'électrode	0,6 - 0,7 mm / ,024 - ,028 in.
Moment de torsion	170 - 190 kg cm / 16,7 - 18,6 N·m
Type de filtre à air	élément mousse non réversible
Démarrage	Poignée de lanceur
Arrêt	Commutateur à glissoire
Type de transmission	Automatique, embrayage centrifuge avec pignon conique
Période de conformité aux normes d'émission EPA*	Catégorie A

Les caractéristiques techniques sont susceptibles d'être modifiées sans préavis.

* La conformité aux normes d'émissions EPA, mentionnée sur l'étiquette de contrôle des émissions située sur le moteur, indique le nombre d'heures de fonctionnement pour lesquelles le moteur est conforme aux exigences fédérales concernant les émissions. Catégorie C = 50 heures (Modéré), B = 125 heures (Intermédiaire) et A = 300 heures (Étendu).

**La bougie NGK BPMR6A répond également aux exigences en matière de conformité électromagnétique (CEM).

Assemblage

Cet appareil est fourni complètement assemblé, à l'exception du déflecteur de l'accessoire de coupe et de l'accessoire de coupe.

IMPORTANT!

Les termes « gauche », « à gauche » et « vers la gauche » ; « droite », « à droite » et « vers la droite » ; « avant » et « arrière » font référence à la direction telle que vue par l'opérateur lors d'une utilisation normale de l'appareil.

Guidon

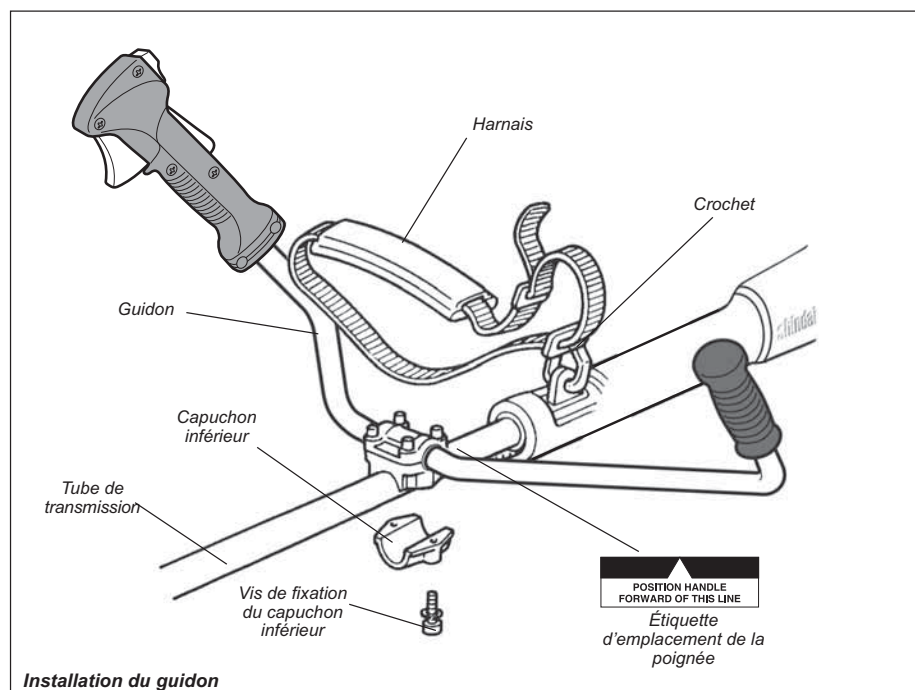
1. Utiliser la clé hexagonale de 4 mm pour retirer les vis de fixation du capuchon inférieur du support de guidon. Retirer le capuchon du support et noter la position des deux écarteurs installés entre les moitiés de support.
2. Sur le tube extérieur, positionner la poignée devant l'étiquette d'emplacement de la poignée, comme représenté. Réinstaller le capuchon inférieur sur le support de guidon dans l'ordre inverse de la procédure de démontage.
3. Ajuster la poignée de façon à offrir un confort optimal à l'utilisateur.
4. Serrer fermement les deux vis de fixation du capuchon inférieur du support de guidon.
5. Fixer le câble sur le tube extérieur à l'aide des deux colliers, comme indiqué sur l'illustration. Les deux colliers sont fournis dans la trousse à outils.

Avant l'assemblage

Avant d'assembler l'appareil, s'assurer que toutes les composantes requises pour l'appareil sont présentes et inspecter l'appareil et ses composantes pour y déceler tout dommage éventuel.

- Assemblage moteur et arbre
- Déflecteur de l'accessoire de coupe
- Accessoire de coupe

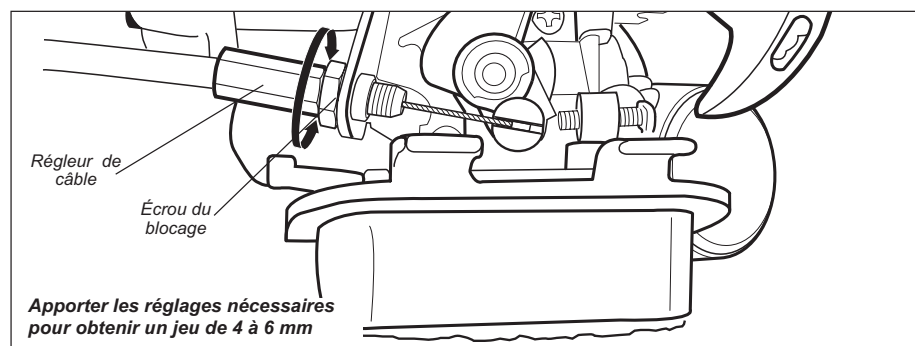
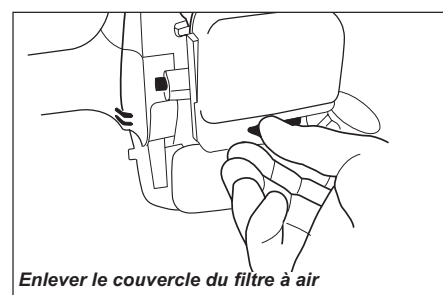
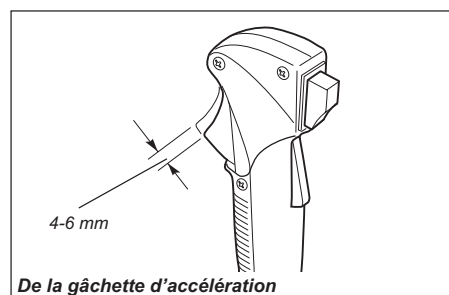
- Assemblage del guidon et accelerauer
- L'ensemble comprend le déflecteur de l'accessoire de coupe, le support de montage et la visserie requise, le présent manuel d'utilisation ainsi que la trousse nécessaire à l'entretien régulier. La trousse d'outils varie selon le modèle et peut comprendre une clé à bougie et un racleur.



Réglage du jeu de la gâchette d'accélération

Le jeu de la gâchette d'accélération doit être d'environ 4 à 6 mm. S'assurer que la gâchette d'accélération fonctionne en douceur, sans se coincer. S'il est nécessaire de régler le jeu de la gâchette d'accélération, suivre les instructions fournies par les procédures et illustrations ci-dessous.

1. Desserrer le bouton du couvercle du filtre à air et l'enlever.
2. Desserrer l'écrou du réglage de câble.
3. Serrer ou desserrer le réglage de câble de façon à obtenir un jeu adéquat de 4 à 6 mm.
4. Serrer l'écrou.
5. Réinstaller le couvercle du filtre à air.



Assemblage (suite)

Défecteur

1. Insérer le déflecteur de l'accessoire de coupe entre le tube extérieur et la plaque de montage du déflecteur.

REMARQUE:

Il peut être nécessaire de desserrer la vis de serrage pour ajuster la plaque de montage du déflecteur.

2. Fixer les deux cales et le support sur le tube extérieur et fixer sans serrer les quatre vis hexagonales.
3. Serrer les quatre vis hexagonales afin que le déflecteur soit fermement fixé.

MISE EN GARDE !

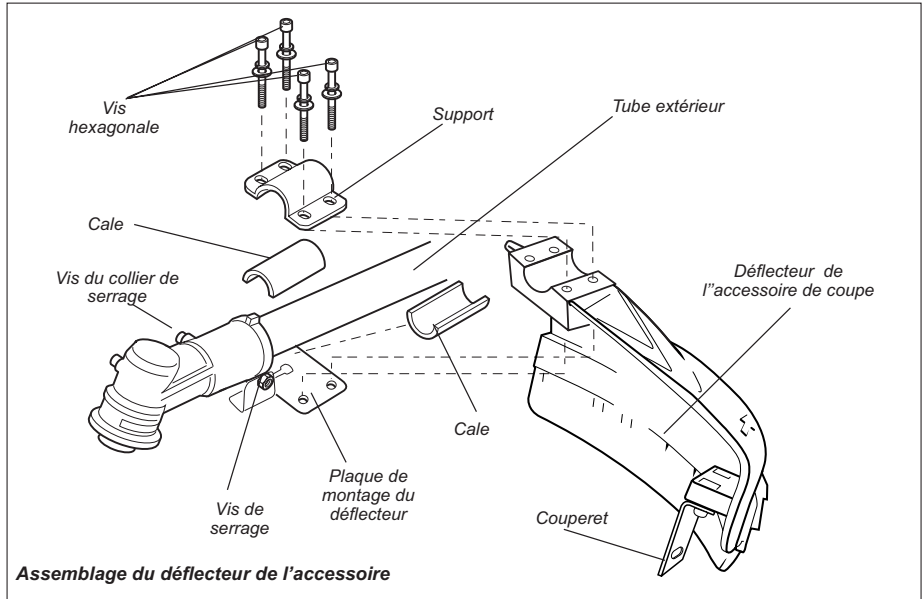
S'assurer que l'écrou, la cale et la vis de serrage sont fermement serrés avant de serrer les quatre vis hexagonales.

AVERTISSEMENT !

NE JAMAIS faire fonctionner l'appareil sans avoir installé le déflecteur et s'être assuré qu'il est solidement fixé !

Défecteur inférieur (lorsque la tête de coupe est utilisée)

1. Fixer le déflecteur inférieur sur le déflecteur de l'accessoire de coupe.



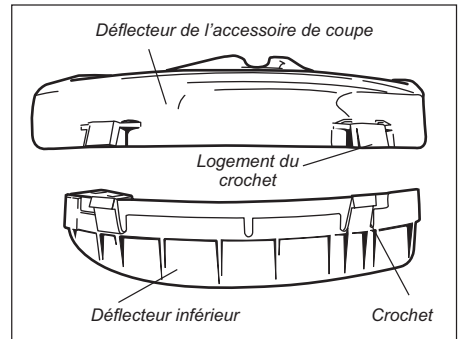
Assemblage du déflecteur de l'accessoire

AVERTISSEMENT !

NE JAMAIS utiliser l'appareil sans le déflecteur inférieur lors de l'utilisation de la tête de coupe.

MISE EN GARDE !

S'assurer que la rallonge est correctement fixée au niveau des encoches.

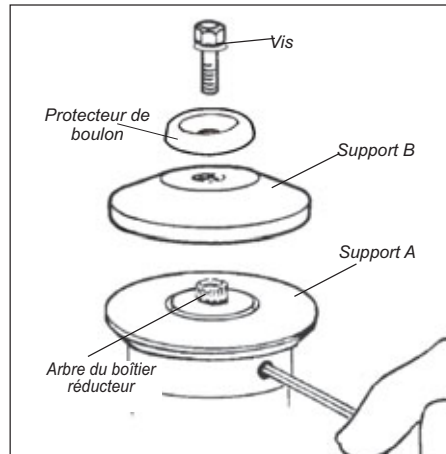


Montage de la tête de coupe

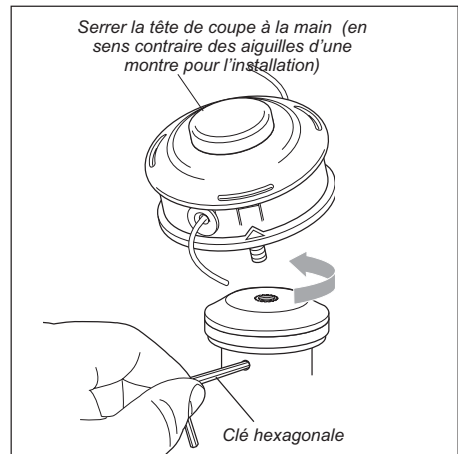
REMARQUE :

Sur le modèle, le support A, le support B, la vis et le protecteur de vis sont installés en usine. La vis comporte un filetage À GAUCHE. Pour le retirer, le tourner dans le SENS DES AIGUILLES D'UNE MONTRE !

1. Orienter l'arbre de sortie du boîtier réducteur vers le haut, puis faire pivoter l'arbre de transmission et le support A jusqu'à ce que l'orifice pratiqué dans le support A soit aligné sur l'orifice correspondant pratiqué dans la bride du boîtier réducteur ; ensuite, fixer le support sur le boîtier réducteur en introduisant l'extrémité allongée de la clé hexagonale dans les deux orifices.
2. À l'aide de la clé mixte à bougie, retirer la vis, le protecteur de vis et le support B. (Le protecteur de vis et la vis ne sont pas destinés à être utilisés avec une tête de coupe).
3. Installer le support B sur l'arbre du boîtier réducteur. L'orifice cannelé situé sur le support B doit s'engager sur l'arbre du boîtier réducteur.



4. En utilisant la clé hexagonale pour maintenir le support A, installer et serrer la tête de coupe à la main (en sens contraire des aiguilles d'une montre pour l'installer).
5. Retirer la clé hexagonale du boîtier réducteur et du support..



L'appareil doit maintenant être entièrement assemblé, et peut être utilisé en tant que débrousailleuse.

Assemblage (suite)



AVERTISSEMENT !

Ne pas fixer de lame à un appareil sans d'abord installer adéquatement l'ensemble des pièces requises. Négliger d'utiliser les pièces appropriées peut provoquer la projection de la lame et causer de graves blessures à l'utilisateur ou aux observateurs, ou aux deux à la fois.

1. Retourner le de façon à positionner l'arbre de sortie du carter renvoi d'angle sur le dessus ; ôter le boulon de l'arbre, le protecteur de boulon et le support B de l'arbre du carter renvoi d'angle.
2. Mettre le trou du support de lame A au même niveau que le trou de la bride du carter renvoi d'angle, et bloquer temporairement l'arbre de sortie en insérant une clé hexagonale dans les deux trous.
3. Placer la lame sur la bride du support A.

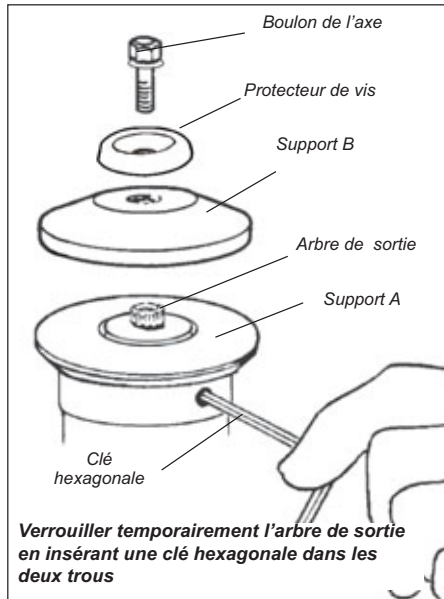


AVERTISSEMENT !

La lame doit être fixée à plat contre la bride du support. Le trou de montage de la lame doit être centré sur le bossage rehaussé du support de lame A.

MISE EN GARDE !

Installer la lame de façon à ce que sa surface imprimée soit visible à l'utilisateur lorsque la débroussailleuse est en position normale d'utilisation.



4. Installer le support de lame B sur l'arbre de sortie.

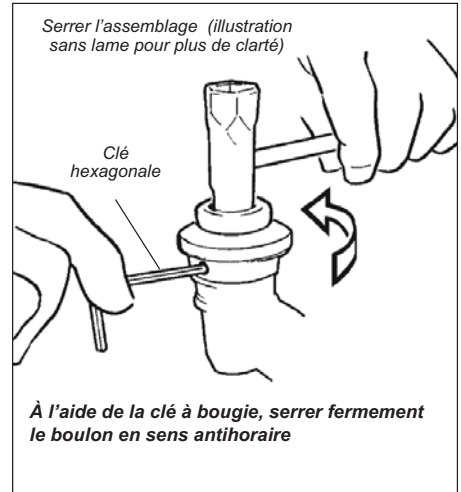
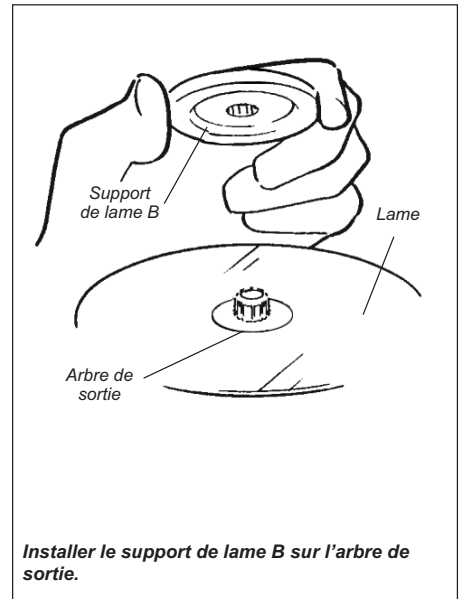


AVERTISSEMENT !

Le support B doit être en appui contre la lame et les cannelures engagées dans l'arbre de sortie.

5. Installer le protecteur de boulon puis le boulon de retenue de la lame. À l'aide de la clé à bougie, serrer fermement le boulon en sens antihoraire.
6. Ôter la clé hexagonale.

L'appareil doit maintenant être entièrement assemblé et être utilisable avec une lame.



Mélange de carburant

MISE EN GARDE !

- Ne jamais utiliser un carburant contenant plus de 10 % d'alcool par volume. Certains carburants contiennent de l'alcool comme oxygénant. Le carburant oxygéné peut causer l'augmentation des températures de fonctionnement. Dans certaines situations, le carburant à base d'alcool peut également faire diminuer les propriétés lubrifiantes de certains mélanges d'huile pour moteur à deux temps.
- Les huiles génériques et certaines huiles pour moteurs hors-bord ne doit jamais être utilisé avec les moteurs de Shindaiwa.

MISE EN GARDE !

Ce moteur est conçu pour fonctionner avec un mélange d'essence sans plomb et d'huile de catégorie ISO-L-EGD ou JASO FD pour moteur à deux temps seulement, dans une proportion de 50:1. L'utilisation de mélanges d'huile non autorisés risque d'entraîner une accumulation excessive de dépôt de calamine.

- Utiliser uniquement de l'essence sans plomb propre dont l'indice d'octane est égal ou supérieur à 87.
- Mélanger l'essence avec une huile pour moteurs à deux temps dont les caractéristiques sont conformes ou supérieures aux exigences des normes ISO-L-EGD et/ou JASO FD selon un rapport de 50:1.

MISE EN GARDE !

Le mélange et verse le carburant en plein air où il n'y a aucune étincelle et flammes.

Exemples de quantités de mélange de carburant à 50:1

U.S.		Metric	
Essence	Huile moteur à deux temps	Essence	Huile moteur à deux temps
États-Unis Gallons	États-Unis Fl.oz.	Litres	cc.
1	2.6	4	80
2	5.2	8	160
5	13	20	400
10	25.6	30	600
20	51.2	50	1000
50	128	100	2000

IMPORTANT !

Uniquement préparer la quantité dont vous avez besoin dans l'immédiat ! Si le carburant doit être remis plus de 30 jours et que l'huile **ONE** avec stabilisateur n'est pas utilisée, il est préférable de la stabiliser à l'aide d'un produit adapté.

L'huile **ONE** est une huile conforme à la norme JASO FD, et satisfait également aux exigences de la norme ISO-L-EGD relative aux performances. L'huile Shindaiwa One est préconisée pour tous les moteurs à émissions réduites de Shindaiwa, et contient également un stabilisateur.

Remplissage du réservoir à carburant



AVERTISSEMENT !

Réduire les risques d'incendie !

- **NE JAMAIS** fumer ou allumer de feu à proximité du moteur.
- **TOUJOURS** arrêter le moteur et le laisser refroidir avant de faire le plein.
- **TOUJOURS** nettoyer tout déversement de carburant et déplacer le moteur à au moins 3 mètres du lieu et de la source de remplissage avant de démarrer !
- **NE JAMAIS** placer de matière inflammable à proximité du silencieux du moteur.
- **NE JAMAIS** utiliser le moteur sans silencieux ou sans pare-étincelles, et sans que ceux-ci ne fonctionnent correctement.
- **LE CARBURANT EST FORTEMENT INFLAMMABLE.**
- Gardez **TOUJOURS** l'essence dans un conteneur approuvé.
- **TOUJOURS** vérifier qu'il n'y a pas de fuites de carburant avant chaque usage. À chaque remplissage, s'assurer que le carburant ne s'écoule pas du bouchon et/ou du réservoir de carburant. En cas de fuite apparente, cesser immédiatement d'utiliser l'appareil. Réparer toute fuite de carburant avant d'utiliser l'appareil.
- **TOUJOURS** déplacer l'appareil à 3 mètres au moins de l'aire de remplissage ou d'autres substances inflammables avant de démarrer le moteur.

1. Placer l'appareil sur une surface plane et stable.
2. Enlever tout débris ou toute saleté du bouchon du réservoir de carburant.

MISE EN GARDE !

Enlevez le bouchon de réservoir lentement seulement après l'arrêt du moteur.

3. Enlever le bouchon du réservoir et verser du carburant propre dans le réservoir.
4. Remettre le bouchon sur le réservoir de carburant et serrer fermement.
5. Nettoyer tout déversement d'essence avant de démarrer le moteur.

Démarrage du moteur

IMPORTANT !

L'allumage du moteur est commandé par un commutateur à deux positions (marche/arrêt) monté sur le corps de l'accélérateur. En général, ce bouton porte l'inscription « I » pour MARCHÉ et « O » pour ARRÊT.



AVERTISSEMENT !

Ne jamais démarrer l'appareil en position d'utilisation.

1. Glisser l'interrupteur d'allumage sur la position « I » (MARCHÉ).
2. Presser à plusieurs reprises la pompe d'amorçage du carburateur jusqu'à voir le carburant circuler dans le tube de retour transparent.
3. Mettre le levier de starter en position « FERMÉ » quand le moteur est froid.
4. Tout en tenant fermement le tube extérieur de la main gauche, de la main droite, tirer sur la poignée du démarreur (vers le haut), lentement, jusqu'à ce que vous sentiez le moteur s'engager.

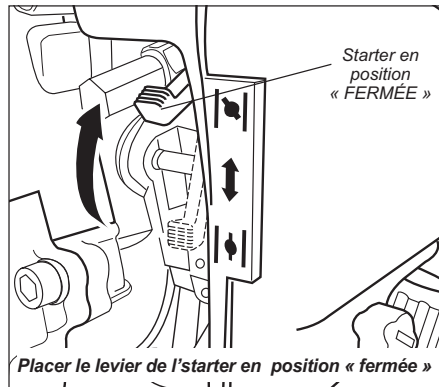
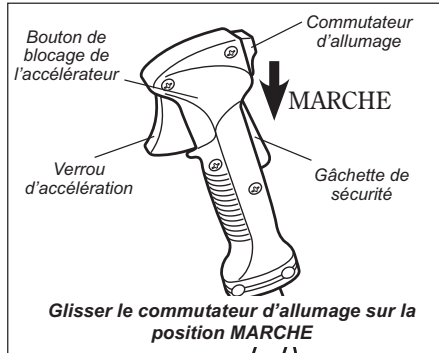
IMPORTANT !

Le système d'amorçage ne fait qu'injecter du carburant dans le carburateur. L'appui répétitif de la pompe d'amorçage ne noiera pas le moteur de carburant.

5. Quand le moteur démarre, abaisser lentement le levier de starter vers la position « OUVERT ». (Si le moteur arrête après le premier démarrage, fermer le starter et recommencer.)

MISE EN GARDE !

Ne jamais tirer la corde de démarrage à rappel jusqu'au bout. Tirer complètement la corde de démarrage à rappel risque d'endommager le démarreur.

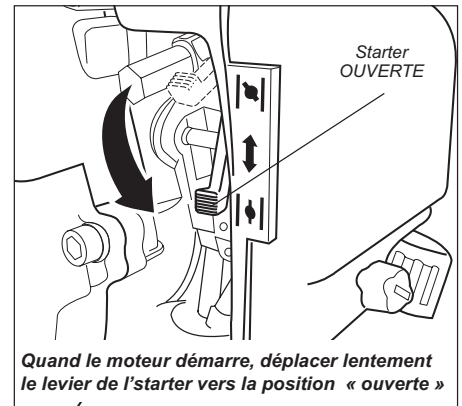
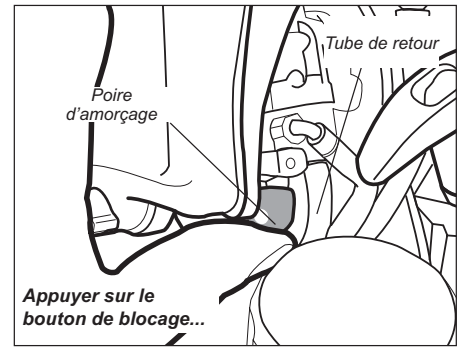


AVERTISSEMENT !

L'accessoire de coupe risque de tourner lorsque le moteur démarre !

IMPORTANT !

Si le moteur ne démarre pas après plusieurs tentatives alors que l'starter est en position « fermée », il est peut-être noyé. Consulter la section « Démarrage d'un moteur noyé » de ce manuel.



Lorsque le moteur démarre...

- Une fois le moteur démarré, le laisser tourner à faible régime pendant 2 à 3 minutes afin de le laisser chauffer avant d'utiliser l'appareil.
- Une fois le moteur chaud, prendre l'appareil et fixer le harnais, le cas échéant.
- Une pression sur le levier d'accélération accélère le mouvement d'oscillation de l'accessoire de coupe ; le relâchement de l'accélérateur permet à l'accessoire de coupe de s'immobiliser. Si l'accessoire de coupe ne s'immobilise pas alors que le moteur tourne au ralenti, il faut régler le régime de ralenti du carburateur (voir « Réglage du ralenti du moteur », à la page suivante).

Démarrage du moteur (suite)

Démarrage d'un moteur noyé

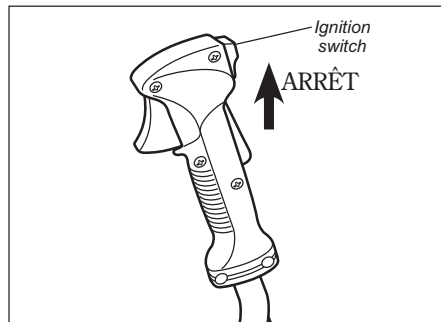
1. Glisser l'interrupteur d'allumage dans la position « O » (ARRÊT).
2. Débrancher le fil de la bougie, puis retirer celle-ci à l'aide de la clé à bougie fournie (tourner la bougie en sens contraire des aiguilles d'une montre pour la desserrer).
 - Si la bougie est encrassée ou imbibée de carburant, la nettoyer si nécessaire.
3. Ouvrir le starter et appuyer complètement sur le levier d'accélération de la main gauche, puis tirer rapidement sur la poignée du lanceur de la main droite pour évacuer l'excédent de carburant de la chambre de combustion.
4. Remplacer la bougie et le resserre fermement avec la clé plate de bougie. Si une clé dynamométrique est

disponible, Consulter la section « Caractéristiques techniques » pour le moment de torsion la bougie. Répéter la procédure de démarrage pour un moteur chaud.

5. Si le moteur ne démarre toujours pas, consulter la section de dépannage.

Arrêt du moteur

1. Après une séance de travail, laisser tourner le moteur au ralenti 2 à 3 minutes afin qu'il retrouve une température normale.
2. Glisser l'interrupteur en position « O » (ARRÊT).



IMPORTANT

Une fois l'appareil éteint, attendre que la lame soit immobile avant de déposer l'appareil.

Réglage du ralenti du moteur

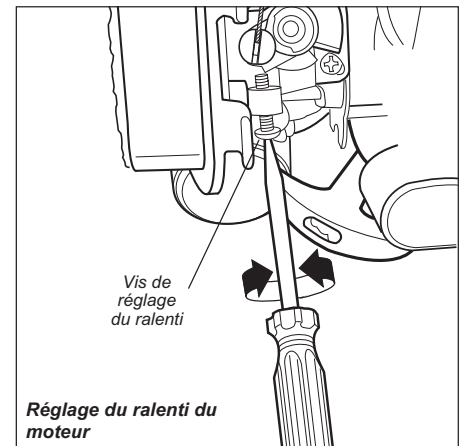
Le moteur doit retourner au régime de ralenti dès que le levier d'accélération est relâché. Le régime de ralenti est réglable ; il doit être réglé assez bas pour que l'embrayage se désengage et que l'accessoire de coupe cesse de tourner lorsque le levier d'accélération est relâché.

Réglage du ralenti

1. Poser le taille-bordure sur le sol, puis démarrer le moteur et le laisser tourner à bas régime pendant 2 à 3 minutes jusqu'à ce qu'il soit chaud.
2. Si l'accessoire de coupe oscille lorsque le moteur tourne au ralenti, réduire le régime de ralenti en tournant la vis de réglage du ralenti en sens contraire des aiguilles d'une montre.
3. Si un tachymètre est disponible, régler le régime du ralenti aux valeurs inscrites dans la section de « Spécifications ».

NOTE

Les réglages du mélange de carburant du carburateur sont réalisés en usine et ne peuvent être modifiés sur le terrain..



AVERTISSEMENT !

L'accessoire de coupe ne doit JAMAIS tourner quand le moteur est au ralenti ! S'il est impossible de régler le régime de ralenti en suivant les procédures indiquées, retourner l'appareil au vendeur Shindaiwa.

Contrôle de l'état de l'appareil

NE JAMAIS faire fonctionner l'appareil sans le carter de l'accessoire de coupe ou autres dispositifs de protection !

Utiliser uniquement des pièces et accessoires autorisés Shindaiwa avec votre taille-bordure Shindaiwa. Ne pas apporter de modifications à l'appareil sans l'autorisation écrite de Shindaiwa, Inc.

TOUJOURS s'assurer que l'accessoire de coupe est correctement installé et fermement serré avant toute utilisation.

NE JAMAIS utiliser un accessoire de coupe fendillé ou voilé : le remplacer par un outil de coupe en bon état.

TOUJOURS s'assurer que l'accessoire de coupe se règle correctement sur le support de l'accessoire approprié. Si un accessoire installé correctement vibre, le remplacer par un nouvel accessoire et vérifier une nouvelle fois.

TOUJOURS arrêter le moteur immédiatement et vérifier si l'accessoire de coupe est endommagé après avoir percuté un objet solide, ou si l'appareil devient instable.

NE PAS utiliser un accessoire de coupe brisé ou endommagé.

NE JAMAIS faire fonctionner le moteur à haut régime sans charge. Cela pourrait endommager le moteur.

NE JAMAIS faire fonctionner un appareil dont les attaches ou supports d'accessoire sont usés ou endommagés.



AVERTISSEMENT !

Un carter d'accessoire de coupe ou tout autre dispositif de protection n'offre pas de garantie de protection contre les ricochets. **TOUJOURS PRENDRE GARDE AUX PROJECTIONS DE DÉBRIS !**

Fonctionnement

Pour passer le harnais



AVERTISSEMENT !

Toujours porter un harnais lors de l'utilisation de cet appareil avec une lame. Un harnais est également recommandé lors de l'utilisation d'un fil de coupe. L'utilisation d'un harnais avec une débroussailleuse vous permet de garder un bon contrôle de l'appareil et de réduire la fatigue due à une utilisation prolongée.

1. Accrochez le crochet de la sangle de suspension à l'extérieur du tube.
2. Porter l'épaule de sorte que le crochet est à votre côté droit.

IMPORTANT !

Régler le harnais de façon à ce que l'épaulette soit bien calée sur l'épaule gauche et que le chemin de coupe de l'accessoire de coupe soit parallèle au sol. S'assurer que tous les crochets et accessoires sont bien fixés.

3. Ajuster la longueur de la sangle d'épaule pour que vous puissiez organiser et faire fonctionner la machine confortablement.

REMARQUE:

L'utilisation d'un harnais avec une débroussailleuse vous permet de garder un bon contrôle de l'appareil et de réduire la fatigue due à une utilisation prolongée.



Harnais recommandé lors de l'utilisation d'une débroussailleuse

Utilisation d'une débroussailleuse avec une tête de coupe

Votre appareil Shindaiwa peut être équipé d'un ou plusieurs modèles de tête de coupe de Shindaiwa ; chaque modèle est adapté à des applications et/ou des exigences fonctionnelles spécifiques.

Types de têtes de coupe disponibles sont les suivants :

Semi-automatique. Le fil de coupe est déroulé lorsque l'utilisateur tape la tête de coupe sur le sol pendant le fonctionnement de l'appareil.

Manuel. L'opérateur déroule manuellement le fil de coupe après avoir arrêté le moteur de la débroussailleuse.

Fixe. L'opérateur doit arrêter l'appareil et ajouter manuellement de nouvelles longueurs de fil de coupe.

Fléau. Cet appareil, conçu pour couper les mauvaises herbes et les broussailles peu épaisses, est équipé de trois lames en nylon reliées à la tête de coupe par des points d'articulation.

REMARQUE :

Des outils supplémentaires peuvent être nécessaires pour installer les têtes de coupe de type Fixe ou Fléau.

Régimes de fonctionnement du moteur

Faire tourner l'appareil à plein régime pendant la coupe.

Faire les bordures

Incliner la poignée d'environ 100 degrés vers la gauche (à partir de l'horizontale) et avancer tout en maintenant la débroussailleuse à la verticale, comme indiqué.

MISE EN GARDE !

L'utilisation à bas régime peut conduire à une défaillance prématurée de l'embrayage.

Tailler et tondre la pelouse

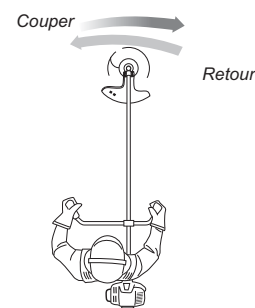
Tenir l'appareil de façon à ce que la tête de coupe soit inclinée légèrement vers la zone à tailler. Pour assurer la longévité de votre fil de coupe, couper uniquement avec le bout du fil de coupe. Couper l'herbe en déplaçant la tête de coupe de l'appareil de la gauche vers la droite. Maintenir la tête de coupe horizontale.

MISE EN GARDE !

Ne pas faire entrer le fil en rotation en contact avec les arbres, les clôtures en fil de fer ou tout autre objet qui risque de s'emmêler ou de casser l'extrémité des fils.

MISE EN GARDE !

N'utiliser qu'une corde non métallique flexible recommandée par le fabricant. Ne jamais utiliser, par exemple, un fil ou câble métallique pouvant rompre et se transformer en projectile dangereux.



Couper de la gauche vers la droite

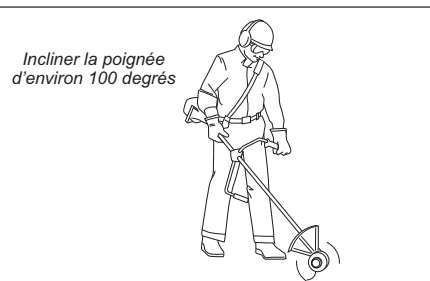
MISE EN GARDE !

- L'utilisation de la débroussailleuse sans le déflecteur de l'accessoire de coupe et l'utilisation d'une longueur de fil excessive risque d'entraîner l'usure prématurée de l'embrayage.
- L'utilisation à bas régime peut causer l'usure prématurée de l'embrayage.



AVERTISSEMENT !

Supprimer tous les objets pouvant être projetés ou s'enchevêtrer dans la lame de coupe, tels que des roches, du verre brisé, des clous, du fil ou de la corde.



Incliner la poignée d'environ 100 degrés

Fonctionnement (suite)

Utilisation d'une lame



AVERTISSEMENT !

- Avant de commencer à travailler avec un appareil équipé de lame, toujours inspecter et dégager l'aire d'utilisation de tout objet qui pourrait entrer en contact avec la lame ou l'endommager.
- Ne jamais utiliser une lame près de trottoirs, poteaux de clôture, bâtiments ou autres objets pouvant causer des blessures ou des dommages.
- Ne jamais utiliser une lame à des fins autres que celles pour lesquelles elle a été conçue.
- Si la lame percute un objet dur, toujours arrêter l'appareil et vérifier si la lame est endommagée. **NE JAMAIS FAIRE FONCTIONNER LA DÉBROUSSAILLEUSE AVEC UNE LAME ENDOMMAGÉE !**
- Un appareil comportant une lame doit être équipé d'un guidon de type bicyclette ou d'une barre de guidon ainsi que d'un harnais.
- Toujours s'assurer que le carter de l'accessoire de coupe est correctement installé avant d'utiliser cet appareil.

Rebond de lame

Le rebond de lame est un mouvement soudain de la débroussailleuse sur les côtés ou vers l'arrière. Une telle situation peut se produire quand la lame se coince ou entre en contact avec un objet comme un jeune arbre ou la souche d'un arbre. **RESTER VIGILANT EN PERMANENCE ET SE PROTÉGER DES EFFETS DU REBOND DE LAME !**



AVERTISSEMENT !

La lame peut faire subitement un rebond sans si elle s'accroche, est en perte de vitesse ou se bloque.



AVERTISSEMENT !

Le rebond de la lame peut plus vraisemblablement survenir dans les zones obstruées.

Guidon de débroussailleuse

Le guidon ou la barre de guidon de la débroussailleuse permet d'empêcher l'utilisateur de faire un mouvement avant, ou l'appareil de faire un mouvement arrière, et évite ainsi un contact corporel par inadvertance avec la lame. **TOUJOURS AVOIR LE GUIDON OU LA BARRE DE GUIDON EN PLACE SUR L'APPAREIL ET CORRECTEMENT INSTALLÉ(E) !**

Utilisation d'une lame

La lame tourne en sens contraire des aiguilles d'une montre. Pour des performances optimales et pour éviter de percuter des débris, déplacer la lame de droite à gauche dans votre travail. Positionner la lame de façon à couper entre les positions 8 heures et 10 heures (vue du dessus). **NE PAS couper entre les positions 10 heures et 5 heures.**



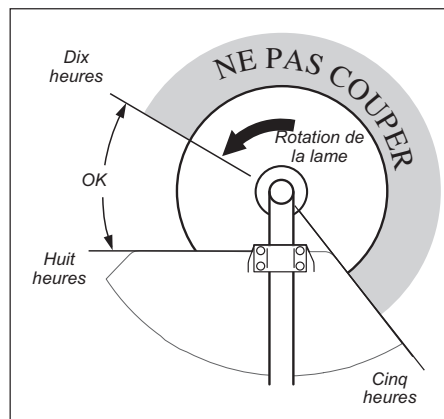
AVERTISSEMENT !

Lors de la coupe de bois avec une débroussailleuse, alimenter la lame lentement—ne jamais percuter ou « claquer » une lame en rotation contre le bois.



AVERTISSEMENT !

NE PAS utiliser de lame à deux dents ou de lame à quatre dents Shindaiwa non autorisée avec débroussailleuses Shindaiwa.



Coupes verticales

Tenir la débroussailleuse avec la lame à un angle de 90° avec le sol, de façon à ce que le bord inférieur de la lame tourne vers l'utilisateur. Déplacer la lame de haut en bas sur la zone de coupe, et couper uniquement avec le bord inférieur de la lame.

Harnais de débroussailleuse

Un harnais offre une protection supplémentaire contre le rebond de lame. En outre, un harnais offre un soutien et un confort significatif pour une utilisation efficace et sans danger. Lors de l'utilisation d'un appareil équipé d'une lame, s'assurer que la poignée et le harnais sont réglés à la taille de la personne qui utilise l'appareil.

Régimes de fonctionnement du moteur

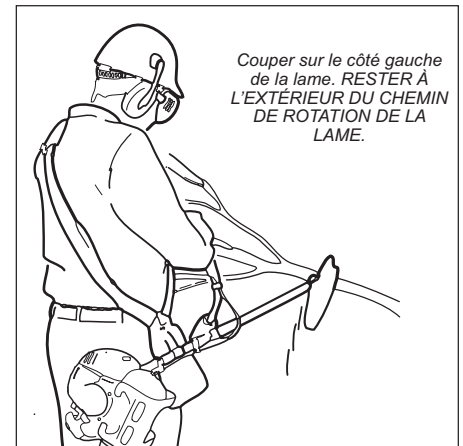
Faire tourner le moteur à plein régime pendant la coupe. Pour une efficacité optimale du carburant, relâcher l'accélérateur lors du basculement en arrière après une coupe.

- Pour éviter tout endommagement du moteur, ne pas faire fonctionner le taille-bordure à haut régime sans charge.
- Éviter de faire fonctionner le moteur à bas régime. Cela pourrait endommager l'embrayage rapidement. En outre, l'utilisation à bas régime tend à faire s'enrouler l'herbe et les débris autour de l'accessoire de coupe.



AVERTISSEMENT !

Lors de coupes verticales, ne jamais soulever la lame plus haut qu'à hauteur de taille.



Entretien

Entretien général

IMPORTANT !

L'ENTRETIEN, LE REMPLACEMENT OU LA RÉPARATION D'UN DISPOSITIF DE CONTRÔLE DES ÉCHAPPEMENTS ET DES SYSTÈMES PEUT ÊTRE EFFECTUÉ PAR TOUT ÉTABLISSEMENT DE RÉPARATION OU INDIVIDU. CEPENDANT, LES RÉPARATIONS COUVERTES PAR LA GARANTIE DOIVENT ÊTRE EFFECTUÉES PAR UN DÉTAILLANT OU UN CENTRE DE SERVICES AUTORISÉ PAR SHINDAIWA SOCIÉTÉ COMMERCIALE L'UTILISATION DE PIÈCES DONT LE RENDEMENT ET LA DURABILITÉ NE SONT PAS ÉQUIVALENTS AUX PIÈCES UTILISÉES PEUT COMPROMETTRE L'EFFICACITÉ DU SYSTÈME ANTIPOLLUTION ET L'ACCEPTATION D'UNE DEMANDE DE RÉPARATION AU TITRE DE LA GARANTIE.

NOTE

L'utilisation de pièces de remplacement autres que celles approuvées peut invalider la garantie Shindaiwa.

Silencieux

Ne jamais faire fonctionner l'appareil sans silencieux ou sans pare-étincelles ou s'ils sont endommagés. S'assurer que le silencieux est fixé correctement et en bon état. Un silencieux usé ou endommagé représente un risque d'incendie et peut causer la perte de l'ouïe.

Entretien quotidien

Suivre la procédure suivante au début de chaque journée de travail :

- Enlever la saleté et les débris sur le moteur, vérifier les ailettes de refroidissement et le filtre à air et les nettoyer au besoin.
- Enlever toute accumulation de saleté ou de débris du silencieux et du réservoir à carburant. Inspecter l'entrée d'air du système de refroidissement à la base du carter de vilebrequin.
- Éliminer toute accumulation de débris. Les accumulations de saleté sur ces pièces peuvent causer la surchauffe du moteur, un incendie ou l'usure précoce de l'appareil.
- Enlever toute accumulation de saleté ou de débris de l'accessoire de coupe.
- Vérifier qu'aucune vis ou composante n'est desserrée ou manquante. S'assurer que l'accessoire de coupe est solidement fixé.



AVERTISSEMENT !

Avant de procéder à l'entretien, à la réparation ou au nettoyage de l'appareil, s'assurer que le moteur et l'accessoire de coupe sont arrêtés. Débrancher le fil de la bougie avant de procéder à l'entretien ou à la réparation.

Bougie

Garder la bougie et les fils de connexion serrés et propres.

Attaches

S'assurer que les écrous, boulons et vis (excepté les vis de réglage du carburateur) sont serrés.

Lames

Maintenir les lames tranchantes et vérifier l'état de la lame régulièrement. Si les performances d'une lame sont soudainement diminuées, arrêter le moteur et vérifier que la lame n'est pas fendillée ou endommagée. Remplacer IMMÉDIATEMENT toute lame endommagée !



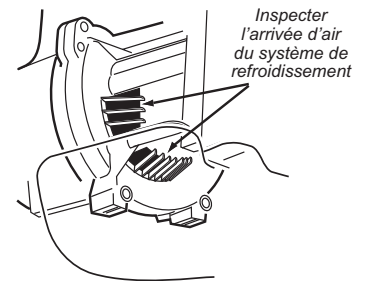
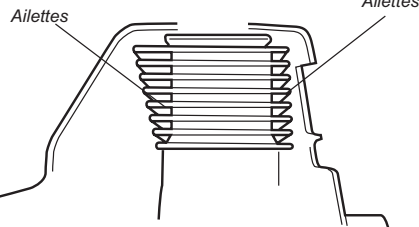
AVERTISSEMENT !

Les pièces non approuvées risquent de ne pas fonctionner correctement et de causer des dommages ou des blessures.



AVERTISSEMENT !

- Ne jamais réparer une lame endommagée en soudant, en redressant ou en modifiant sa forme initiale. Une lame modifiée peut casser pendant l'utilisation et causer des blessures graves.
- Les lames des débroussailluses Shindaiwa ne sont pas interchangeables. L'utilisation de tout appareil équipé d'une lame ou d'un accessoire non autorisé pour cet appareil présente des risques et peut causer des blessures graves.



Enlever la saleté et les débris sur le moteur, et les ailettes de refroidissement

- Vérifier qu'il n'y a pas de fuite de carburant ou d'huile.
- S'assurer que les écrous, boulons et vis (excepté les vis de réglage du régime de ralenti du carburateur) sont serrés.

Entretien (suite)

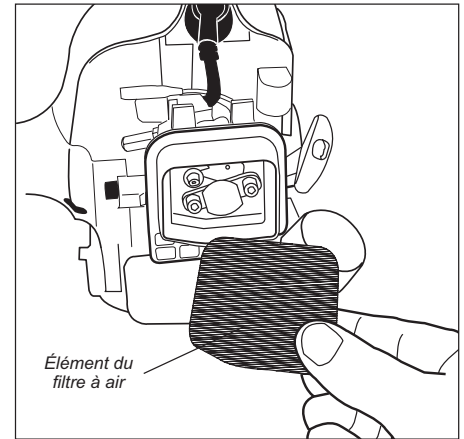
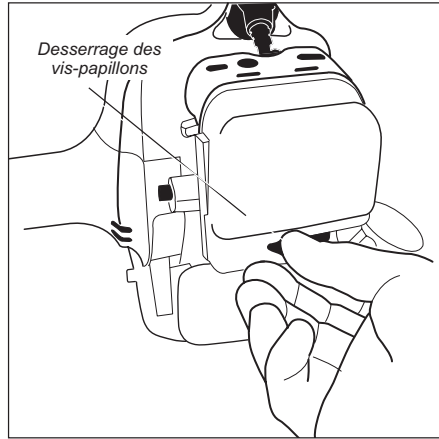
Entretien toutes les 10 heures

(plus souvent dans des conditions difficiles)

- Enlever le filtre à air. Nettoyer ou remplacer selon le cas. Pour nettoyer le filtre, le laver abondamment avec de l'eau savonneuse. Laisser sécher le filtre à air avant de le réinstaller.

MISE EN GARDE !

Ne jamais utiliser la machine si le filtre à air ou son boîtier est endommagé ou si le filtre à air est mouillé ou imbibé d'eau.



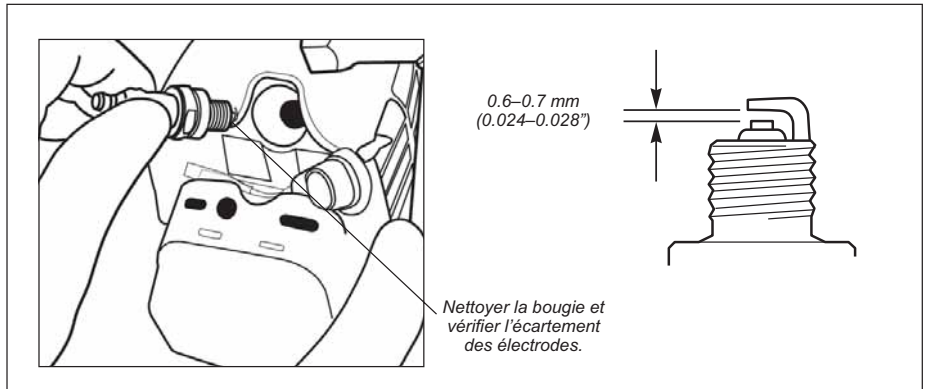
Entretien toutes les 10 - 15 heures

Enlever et nettoyer la bougie.

- Enlever et nettoyer la bougie. Consulter la section "Caractéristiques techniques" pour le type correct de bougie d'allumage et pour l'écart d'électrode correct.

MISE EN GARDE !

Avant d'enlever la bougie, nettoyer l'aire autour de la bougie afin d'éviter que des saletés ou des poussières ne se logent à l'intérieur du moteur.



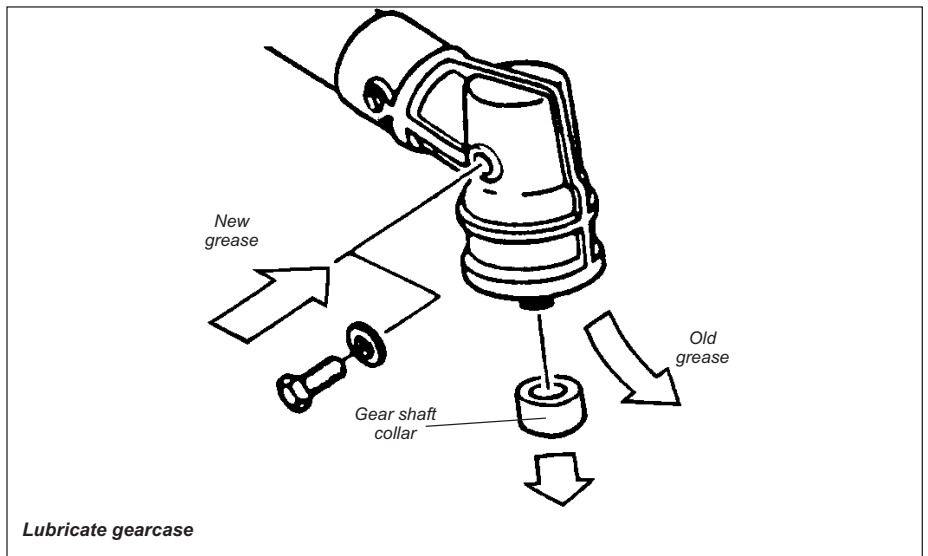
50 hour maintenance

Every 50 hours of operation; more frequently in dusty conditions:

- Remove and clean the cylinder cover and clean dirt and debris from the cylinder cooling fins.

Gearcase lubrication

- Remove and clean the cylinder cover and clean grass and dirt from the cylinder fins.
- Remove the cutting attachment, cutting attachment holder and gearshaft collar. Remove the filler plug from the side of the gearcase and press new grease into the gearcase until old grease is pushed out. Use only lithium-base grease such as Shindaiwa Gearcase Lubricant or equivalent.
- Lubricate mainshaft splines.



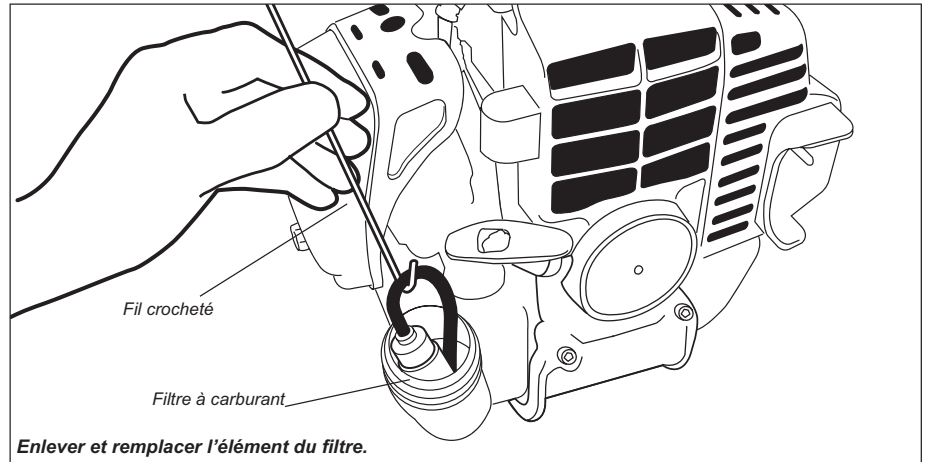
Entretien toutes les 50 heures

Toutes les 50 heures d'utilisation (plus souvent dans des conditions poussiéreuses) :

- Enlever et nettoyer le couvercle du cylindre et enlever les accumulations d'herbe et la saleté logées dans les ailettes du cylindre.

Enlever et remplacer l'élément du filtre.

- Utiliser un fil croché pour extraire le filtre à carburant du réservoir à carburant.
- Avant de réinstaller le nouvel élément de filtre, contrôler l'état de tous les composants du système d'alimentation en carburant (conduite d'aspiration du carburant, conduite de retour du carburant, conduite de la mise à l'air libre, mise à l'air libre, bouchon du réservoir et réservoir à carburant).

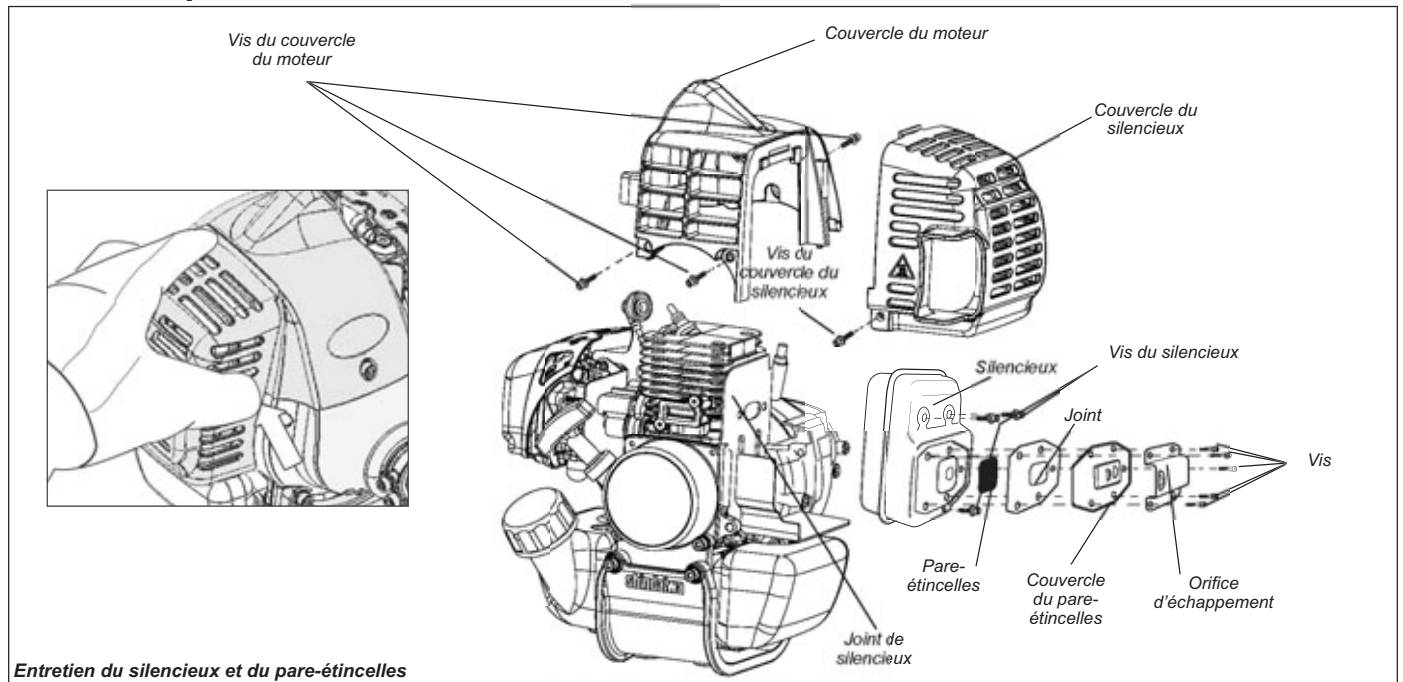


Si des dommages, des fissures ou d'autres détériorations sont visibles, ne pas utiliser

l'appareil tant qu'il n'a pas été inspecté par un technicien autorisé Shindaiwa.

Entretien du pare-étincelles

Français



Toutes les 135 heures d'utilisation, retirer et nettoyer le silencieux



AVERTISSEMENT !

Ne jamais faire fonctionner cet appareil sans silencieux ou sans pare-étincelles ou s'ils sont endommagés ! Si les composantes du dispositif d'échappement sont endommagées ou absentes, il est dangereux d'utiliser l'appareil car il pourrait prendre feu ou causer des troubles auditifs.

1. Enlever le capuchon de la bougie.
2. À l'aide d'une clé hexagonale de 4 mm, enlever le couvercle du silencieux, les 3 vis du couvercle du moteur et le couvercle du moteur. Le couvercle du silencieux est fixé au couvercle du moteur au devant et au dessus à l'aide d'onglets. Pour le retirer, pousser l'aire où les flèches sont illustrées vers l'intérieur tout en tirant vers soi. Voir l'encart.
3. À l'aide d'un tournevis à pointe cruciforme, enlever les 5 vis retenant le pare-étincelles et le couvercle du silencieux.
4. Enlever le pare-étincelles et le nettoyer à l'aide d'une brosse à poils durs.
5. Retirer les 3 boulons du silencieux et le silencieux.
6. Inspecter l'orifice d'échappement du cylindre à la recherche de toute accumulation de calamine.
7. Frapper doucement le silencieux sur une surface en bois pour y déloger toute trace de calamine.
8. Réassembler le pare-étincelles, le silencieux et le couvercle du moteur dans l'ordre inverse du désassemblage.

IMPORTANT !

En cas d'accumulation excessive de calamine, consulter un revendeur Shindaiwa agréé.

Entretien (suite) Affûtage de la lame



AVERTISSEMENT !

Porter des gants lors de la manipulation ou de l'entretien de la lame.

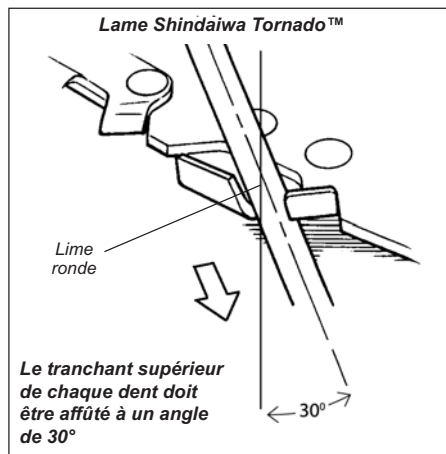
Lorsque les arêtes tranchantes des gouges de la chaîne s'émoussent, les affûter à l'aide d'une lime.

Affûter les arêtes tranchantes de la lame uniformément pour que la lame reste équilibrée..



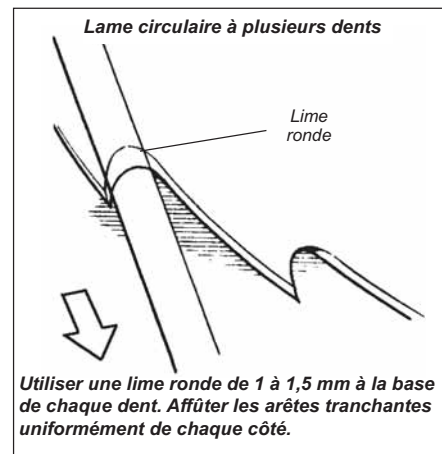
AVERTISSEMENT !

Affûter uniquement les couteaux d'une lame. N'altérer les contours de la lame en aucune façon.



Lame Shindaiwa Tornado™

Pour affûter les gouges de la lame Shindaiwa Tornado™, utiliser une lime ronde de 4,5 mm. Affûter le tranchant supérieur de chaque dent en lame de rasoir. Le tranchant supérieur de chaque dent doit être affûté à un angle de 30°.



Lame circulaire à plusieurs dents

Utiliser une lime ronde de 1 à 1,5 mm à la base de chaque dent. Affûter les arêtes tranchantes uniformément de chaque côté.

Remisage à long terme

Si l'appareil doit être remisé plus de 30 jours, procéder comme suit pour le préparer en vue du remisage :

- Nettoyer les pièces externes soigneusement.
- Vider le carburant du carburateur et du réservoir à carburant.

IMPORTANT !

Stabiliser le carburant remisé à l'aide d'un stabilisateur comme STA-BIL™, si l'huile utilisée ne contient aucun stabilisateur.

- Purger l'excédent de carburant des conduites de carburant et du carburateur.

1. Appuyer sur la pompe d'amorçage jusqu'à ce qu'elle ne fasse plus circuler de carburant.
2. Démarrer et laisser fonctionner le moteur jusqu'à ce qu'il s'arrête de lui-même.
3. Répéter les étapes 1 et 2 jusqu'à ce que le moteur refuse de démarrer.

- Retirer la bougie et verser environ 7 ml d'huile pour moteur à deux temps dans le cylindre, par l'orifice de la bougie. Tirer lentement sur le lanceur à rappel à deux ou trois reprises pour enduire uniformément les parois du cylindre. Réinstaller la bougie.

- Toujours réparer une pièce endommagée ou usée avant le remisage.

- Enlever le filtre à air du carburateur et le nettoyer soigneusement avec de l'eau savonneuse. Laisser sécher avant de réinstaller le filtre à air.
- Remiser l'appareil dans un endroit propre et sans poussière.

MISE EN GARDE !

Le carburant laissé dans le carburateur pendant une période prolongée peut nuire au démarrage et accroître les coûts de service et d'entretien.

Points à contrôler	Cause probable	Solution
<p>Le moteur démarre-t-il bien ?</p> <p>OUI</p>	<p>NON → Lanceur à rappel défectueux. Liquide dans le carter de vilebrequin. Bris interne.</p>	<p>Consulter un représentant autorisé Shindaiwa.</p>
<p>Y a-t-il une bonne compression ?</p> <p>OUI</p>	<p>NON → Bougie desserrée. Usure excessive du cylindre, du piston, des segments.</p>	<p>Serrer et révérier. Consulter un représentant autorisé Shindaiwa.</p>
<p>Le réservoir contient-il de l'essence propre de grade approprié ?</p> <p>OUI</p>	<p>NON → Essence souillée, éventée ou de mauvaise qualité ; mélange incorrect.</p>	<p>Remplir avec de l'essence sans plomb propre dont l'indice d'octane à la pompe est égal ou supérieur à 87, mélangée avec de l'huile pour moteur à 2 temps refroidi à l'air conforme ou supérieure à la norme ISO-L-EGD et (ou) un mélange d'huile et de carburant JASO FD dans un rapport 50:1.</p>
<p>L'essence est-elle visible dans le tuyau de renvoi lors de l'amorçage ?</p> <p>OUI</p>	<p>NON → Vérifier si le filtre à essence et/ou l'orifice d'aération sont encrassés. La pompe d'amorçage ne fonctionne pas correctement.</p>	<p>Remplacer le filtre à essence ou le reniflard au besoin. Redémarrer. Consulter un représentant autorisé Shindaiwa.</p>
<p>Y a-t-il une étincelle à la borne du fil de bougie ?</p> <p>OUI</p>	<p>NON → Le commutateur se trouve sur la position « Arrêt » (« O »). Mauvaise mise à la masse. Transistor défectueux.</p>	<p>Placer le commutateur en position de marche (« I ») et redémarrer. Consulter un représentant autorisé Shindaiwa.</p>
<p>Vérifier la bougie.</p>	<p>Si la bougie est humide, il y a peut-être un excédent d'essence dans le cylindre. La bougie peut être encrassée ou mal ajustée. La bougie peut être brisée ou de catégorie inappropriée.</p>	<p>Lancer le moteur sans la bougie, remettre la bougie en place et redémarrer. Nettoyer et régler l'écartement de la bougie. Consulter la section "Caractéristiques techniques" pour l'écart d'électrode correct. Redémarrer. Remplacer la bougie. Consulter la section "Caractéristiques techniques" pour le type correct de bougie. Redémarrer.</p>

Points à contrôler	Cause probable	Solution
<p>Le moteur surchauffe-t-il ?</p>	<p>Utilisation abusive de l'appareil.</p> <p>Le mélange du carburateur est trop pauvre.</p> <p>Rapport huile / essence inapproprié.</p> <p>Ventilateur, boîtier de ventilation, ailettes du cylindre sales ou endommagés.</p> <p>Dépôts de calamine dans la chambre de combustion.</p>	<p>Ralentir le régime de coupe.</p> <p>Consulter un représentant autorisé Shindaiwa.</p> <p>Remplir avec de l'essence sans plomb propre dont l'indice d'octane à la pompe est égal ou supérieur à 87, mélangée avec de l'huile pour moteur à 2 temps refroidi à l'air conforme ou supérieure à la norme ISO-L-EGD et (ou) un mélange d'huile et de carburant JASO FD dans un rapport 50:1.</p> <p>Nettoyer, réparer ou remplacer selon le cas.</p> <p>Consulter un représentant autorisé Shindaiwa.</p>
<p>Le moteur fonctionne de façon brusque à tous les régimes. Présence éventuelle de fumée d'échappement noire et / ou d'essence non brûlée à l'échappement.</p>	<p>Filtre à air obstrué.</p> <p>Bougie desserrée ou endommagée.</p> <p>Fuite d'air ou conduite d'essence obstruée.</p> <p>Eau dans l'essence.</p> <p>Grippage du piston.</p> <p>Carburateur et / ou diaphragme défectueux.</p>	<p>Nettoyer ou remplacer le filtre à air.</p> <p>Resserrer ou remplacer la bougie. Consulter la section " <i>Caractéristiques techniques</i> " pour le type correct de bougie d'allumage. Redémarrer.</p> <p>Réparer ou remplacer le filtre et/ou la conduite d'essence.</p> <p>Remplir avec un mélange huile/ essence récent.</p> <p>Consulter un représentant autorisé Shindaiwa.</p>
<p>Le moteur cogne.</p>	<p>Surchauffe</p> <p>Essence inappropriée.</p> <p>Dépôts de calamine dans la chambre de combustion.</p>	<p>Voir ci-dessus.</p> <p>Vérifier l'indice d'octane, vérifier si l'essence contient de l'alcool. Remplir selon le besoin.</p> <p>Consulter un représentant autorisé Shindaiwa.</p>

Français

Points à contrôler	Cause probable	Solution
Faible accélération.	<ul style="list-style-type: none"> Filtre à air obstrué. Filtre à essence obstrué. Mélange essence/air pauvre. Régime de ralenti trop bas. 	<ul style="list-style-type: none"> Nettoyer ou remplacer le filtre à air. Remplacer le filtre à essence. Consulter un représentant autorisé Shindaiwa. Régler le régime du ralenti aux valeurs inscrites dans la section de Spécifications.
Le moteur s'arrête brusquement.	<ul style="list-style-type: none"> Commutateur en position d'arrêt. Réservoir à essence vide. Filtre à essence obstrué. Bougie court-circuitée ou mauvaise connexion. Eau dans l'essence. Échec d'allumage. Grippage du piston. 	<ul style="list-style-type: none"> Remettre le contact et redémarrer. Faire le plein. Consulter la section " Remplissage du réservoir de carburant ". Remplacer le filtre à essence. Nettoyer ou remplacer la bougie. Consulter la section " Caractéristiques techniques " pour le type correct de bougie d'allumage. Resserrer la borne. Vidanger le réservoir et faire le plein avec de l'essence propre. Consulter la section " Mélange de carburant " Remplacer le système d'allumage. Consulter un représentant autorisé Shindaiwa.
Moteur difficile à arrêter.	<ul style="list-style-type: none"> Fil de masse (d'arrêt) débranché, ou commutateur défectueux. Bougie inappropriée entraînant une surchauffe. Surchauffe du moteur. 	<ul style="list-style-type: none"> Vérifier et remplacer au besoin. Remplacer la bougie. Consulter la section " Caractéristiques techniques " pour le type correct de bougie d'allumage. Laisser refroidir le moteur en le laissant tourner au ralenti.
L'accessoire de coupe tourne même si le moteur est au ralenti.	<ul style="list-style-type: none"> Régime de ralenti trop élevé. Ressort d'embrayage cassé ou moyeu d'embrayage usé. Support de l'accessoire de coupe desserré. 	<ul style="list-style-type: none"> Régler le régime du ralenti aux valeurs inscrites dans la section de Spécifications. Remplacer le ressort / les moyeux au besoin et vérifier la vitesse de ralenti. Inspecter et resserrer les vis.
Vibrations excessives	<ul style="list-style-type: none"> Accessoire de coupe déformé ou endommagé. Boîtier d'engrenages desserré. 	<ul style="list-style-type: none"> Examiner et remplacer l'accessoire de coupe au besoin. Serrer le boîtier réducteur. Inspecter et remplacer, si nécessaire.
Le moteur ne reviendra pas à tourner au ralenti.	<ul style="list-style-type: none"> Tourner au ralenti de moteur ajusté trop haut. Moteur a une fuite d'air Axe d'entraînement courbé/bagues usées. 	<ul style="list-style-type: none"> Régler le régime du ralenti aux valeurs inscrites dans la section de Spécifications. Consulter un représentant autorisé Shindaiwa..
L'accessoire de coupe ne tourne pas.	<ul style="list-style-type: none"> L'axe n'est pas installé dans la tête motorisée ou le boîtier réducteur. Axe brisé. Boîtier réducteur endommagé. Le fil de nylon est inexactement roulé sur la bobine. 	<ul style="list-style-type: none"> Inspecter et réinstaller au besoin. Consulter un représentant autorisé Shindaiwa. Rembobinez le fil de nylon.

Déclaration de garantie du dispositif antipollution

Vos droits et obligations en vertu de la garantie

Le California Air Resources Board, l'Agence de protection de l'environnement des États-Unis (EPA) et Shindaiwa Corporation sont heureux de vous expliquer la garantie du système de contrôle des émissions de gaz d'échappement et d'évaporation sur votre nouveau petit moteur hors route.

En California, les nouveaux moteurs d'utilitaires doivent être conçus, construits et équipés de manière à répondre aux normes antipollution les plus strictes de cet État. Dans les autres États, les moteurs d'utilitaires fabriqués après 1997 doivent être conformes aux normes les plus contraignantes de l'EPA. Shindaiwa Corporation doit garantir le système antipollution de l'outil pour les périodes susmentionnées sauf en cas d'abus, de négligence ou d'entretien inadéquat.

Le système de contrôle des émissions de gaz d'échappement et d'évaporation de votre moteur inclut des pièces telles que le carburateur, le réservoir de carburant, le système d'allumage et, le cas échéant, le pot catalytique. Ces composantes sont énumérées ci-dessous.

Lorsque la garantie s'applique, Shindaiwa Corporation s'engage à réparer l'appareil gratuitement, y compris le coût du diagnostic, des pièces et de la main-d'œuvre.

Couverture de la garantie des fabricants

La garantie du dispositif antipollution du moteur couvre l'appareil pendant une durée de deux ans à compter de la date de livraison quand il est vendu aux États-Unis. Pendant la période de garantie, Shindaiwa Corporation peut, à sa discrétion, réparer ou remplacer toute composante défectueuse du dispositif antipollution. Pendant la période de garantie originale, les droits sont réputés transférés aux propriétaires subséquents du produit.

Couverture de la garantie

1. Composantes internes du carburateur.
 - Soupape d'accélérateur, pointeau du jet principal, membrane
2. Réservoir de carburant
3. Composants du système d'allumage
 - Bobine d'allumage
 - Volant
4. Pot catalytique (si présent à l'origine)

Le dispositif antipollution de votre appareil Shindaiwa peut également comprendre certains tubes et connecteurs.

Responsabilités du propriétaire à l'égard de la garantie

En tant que propriétaire de l'appareil, vous êtes responsables d'effectuer l'entretien requis dans le manuel d'utilisation. Shindaiwa Corporation recommande de conserver tous les reçus d'entretien de l'appareil ; toutefois, Shindaiwa Corporation ne peut refuser une réclamation au titre de la garantie par défaut de soumettre les reçus d'entretien ou d'avoir effectué les entretiens recommandés. Shindaiwa Corporation se réserve le droit de refuser toute réclamation au titre de la garantie si l'appareil ou une pièce a fait défaut en raison d'abus, de négligence, d'entretien inadéquat ou de modifications non approuvées. Le propriétaire de l'appareil est responsable de consulter un technicien agréé de Shindaiwa Corporation en cas de problème. Les travaux au titre de la garantie doivent être terminés dans un délai raisonnable qui ne dépasse pas 30 jours.

Pour toute question sur vos droits et obligations au titre de la garantie, contactez un représentant du service à la clientèle Shindaiwa au numéro suivant : (503) 692-3070 ou le distributeur Shindaiwa de votre localité.

Domages indirects

Dans l'éventualité où d'autres composantes du produit seraient endommagées en raison d'une défaillance d'une pièce couverte par la garantie, Shindaiwa Corporation réparera ou remplacera lesdites composantes gratuitement.

Exclusions

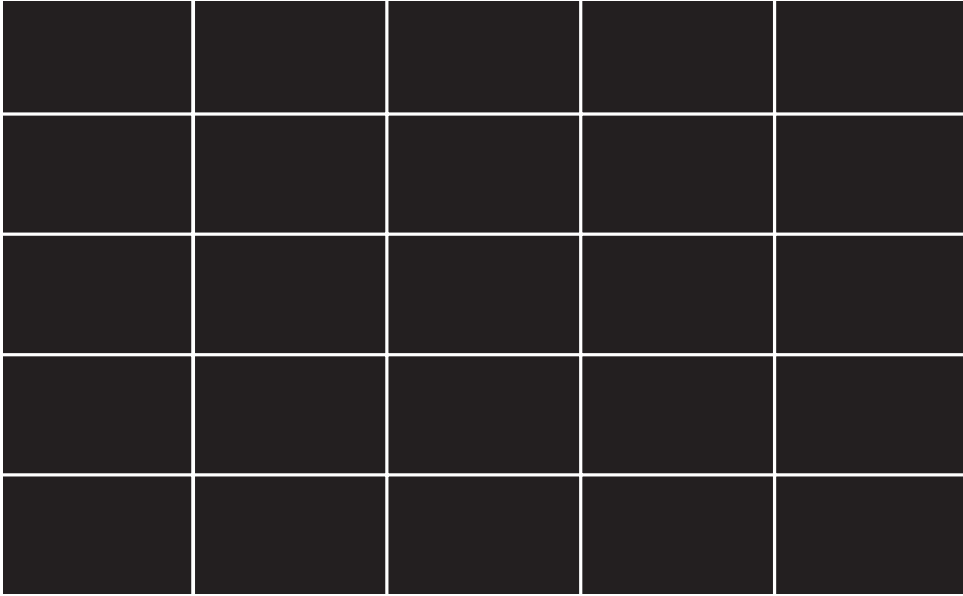
5. Défaillances attribuables à de l'abus, de la négligence ou un entretien inadéquat.
6. Défaillances causées par l'utilisation de pièces ou d'accessoires modifiés ou non approuvés.

La présente garantie est administrée par

Shindaiwa Inc.
11975 S.W. Herman Rd.
Tualatin, OR 97062
États-Unis
(503) 692-3164

NOTES
NOTAs
REMARQUES

Français



shindaiwa®

Shindaiwa Inc.
11975 S.W. Herman Rd.
Tualatin, Oregon 97062
Telephone: 503 692-3070
Fax:503 692-6696
www.shindaiwa.com

Shindaiwa Corporation
Head Office: 6-2-11 Ozuka
Nishi, Asaminami-Ku
Hiroshima, 731-3167, Japan
Telephone: 81-82-849-2220
Fax:81-82-849-2481

©2009 Shindaiwa, Inc.

Shindaiwa is a registered trademark of Shindaiwa, Inc.
Specifications subject to change without notice.